



MAXUS

MAXUS
DELIVER 9



MAXUS DELIVER 9 RANGE

THE PURE DRIVING EXPERIENCE



MANUFACTURER

Innovative, thought-leading, and future-focused. Shanghai Automotive Industry Corporation (SAIC) is the largest automotive group in China, and is the name behind the MAXUS (formerly LDV) brand.

Based in Shanghai, SAIC produces almost seven million vehicles each year for both domestic and international markets and is a Fortune Global 500 listed company with almost 100,000 employees.

With a long history tracing back to the 1940s, SAIC saw real growth from the mid-1980s onwards following a number of partnerships that allowed it to produce competitive vehicles by utilising the latest technology.

The company has a number of well-known brands within its portfolio including, since 2010, the acclaimed MAXUS range of LCVs. SAIC has invested more than €2billion in this brand, with a strong focus on safety, innovation and the introduction of new products to the range, including a suite of EVs that are already setting the standard for the future of eco-fuelled commercial motoring.

Since acquiring LDV, these LCVs were manufactured under the MAXUS moniker for the home market in China in addition to selected left hand drive markets in Europe such as Spain, Belgium and The Netherlands. In April 2020, LDV rebranded as MAXUS across right hand drive Europe, coinciding with the launch of the all-new DELIVER 9 and the newest EV in the brand's stable, the eDELIVER 3, thereby consolidating the brand's presence across Europe, China and beyond.

With an even brighter future ahead, SAIC's key areas of development are electrification, car sharing, connectivity and globalisation. Today, there are eight major automotive groups within SAIC, including SAIC MAXUS.

SAIC's vision is to continue to build an innovative, globally-recognised company that pioneers the future of the automotive industry, actively promoting new energy vehicles.

DISTRIBUTOR

You are the expert in your field but when it comes to automotive expertise, The Harris Group is here to guide you through your search for the right vehicle for your business. One of the longest-established automotive distribution and assembly companies in Ireland and the UK, The Harris Group was founded in 1961 and is an industry leader in the commercial and fleet sectors.

The privately-owned company is best known for its commercial vehicle brands that include Hino, Sinotruk, Higer, Isuzu, AOS and Crusader. In 2016, The Harris Group acquired the distribution rights to MAXUS (formerly LDV) across right hand drive Europe and the range of LCVs, which includes market-leading electric vehicles, has taken the market by storm.

The Harris Group has developed an unrivalled reputation for service excellence in the UK and Ireland, which comes from almost 60 years of experience. Harris is the distributor for the MAXUS range of vehicles in the UK, Ireland, Channel Islands, Isle of Man, Malta and Cyprus.



OUR NETWORK

With a strong dealer network of dedicated and experienced commercial vehicle specialists, we offer the highest standards of expertise whether you are looking to buy one van or an entire fleet.

Following a high-profile relaunch of the LDV brand in 2016, Harris is continuing to build its network across all right hand drive markets in Europe.

Today, the Group represents the MAXUS range in a total of seven territories, including the UK, Ireland, Channel Islands, Isle of Man, Malta and Cyprus, with the company focussed on a big drive to expand the dealer network throughout the UK.

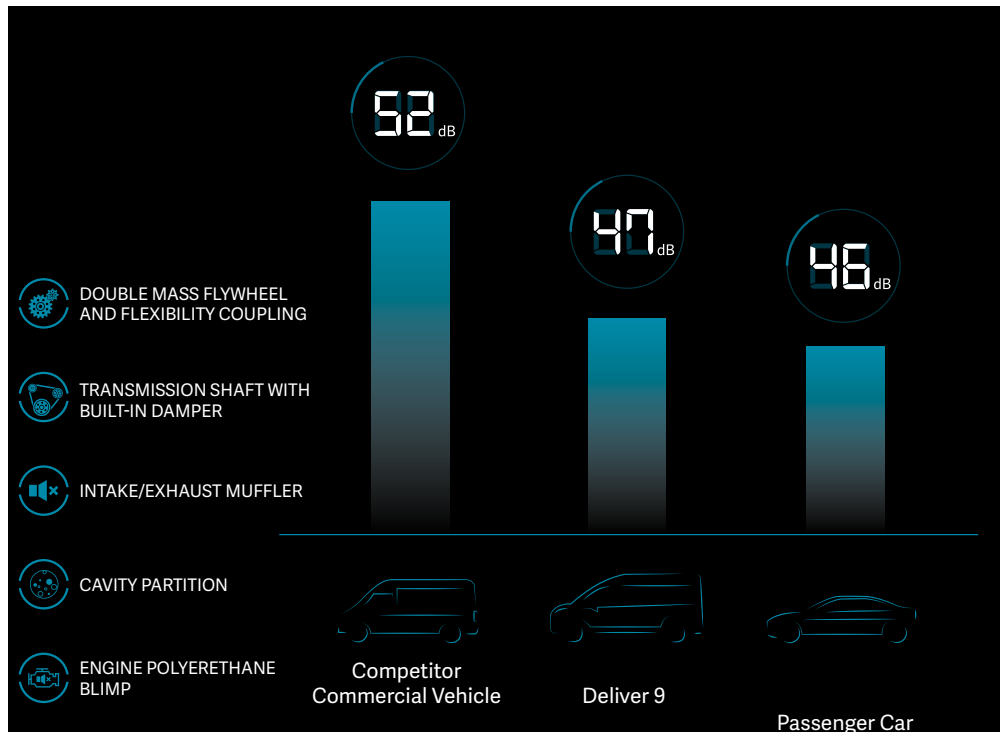
Every dealer within the company's network operates with a strong focus on after-sales activities, thereby ensuring complete customer satisfaction.

Check out www.saicmaxus.co.uk to find your local dealer.



HIGH EFFICIENCY AND LOW CONSUMPTION

- New Euro 6d Engine – D20
- 163 PS @ 4000
- 375Nm
- WLTP compliant
- Advanced ECO-Technology
- DPF warning indicator with Manual Regen function button
- Quieter NVH Solution



MAXUS DELIVER 9 offers the pure driving experience. Ask yourself, what's essential to you or your drivers' needs as they go about their daily business? If the answer is outstanding performance, high efficiency and superb reliability, no matter what the weather conditions, you've found your perfect match.



1. 2000 bar High Pressure Fuel System



2. Variable Swirl Valve



3. VGT Turbo Charger



4. HP-LP EGR Models



5. Water-Air Cooler



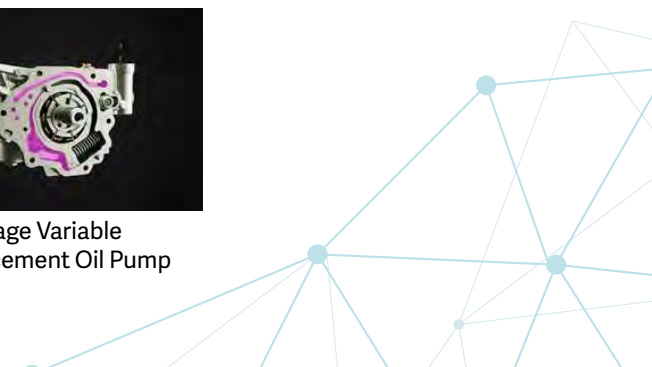
6. Split Cooling System



7. Off-Set Crankshaft



8. Two-Stage Variable Displacement Oil Pump





12:51 AM 4G LTE Local Station - FM 87.5

Local Station

FM 87.5
Broadcasting Station

AM K || K

RES+ SET- OK SRC

Door Open

100 80 60 40 20 0

160 140 120 100 80 60 40 20 0

1 2 3 4 5 6

2 4 6



AIRBAG

STORAGE SYSTEM

The new MAXUS DELIVER 9 offers all the storage you need to keep your space neat, organised and completely manageable as you go about your working day. There really is a place for everything. In addition to your glove box and a large deep storage space in the doors for water bottles, there are plenty of extra spaces that you won't even know you needed until now. You'll find storage space under the bench seating in the vehicle as well as a practical foldable seatback with two cup holders and a tablet holder. The dashboard includes cup holder storage along with a selection of other storage options above the glove box and windscreen visor.

- USB port and mini jack port¹ (driver and passenger)
- Storage space under the bench seat
- Foldable seat back with cup holders and tablet holder
- Storage compartments in the doors
- Cup holder (driver and passenger)
- 12 V power socket
- Overhead storage on medium and high roof vans
- Sophisticated storage system with compartments
- Deep door water storage holders



Under Seat Storage



Laptop and Cup Holder Rest



Glove Box Storage



Large Side Door Storage



The Infotainment System takes the MAXUS DELIVER 9 driving experience from ordinary to extraordinary

Both the MAXUS DELIVER 9 and DELIVER 9 Luxury Model offer a pure driving experience that any van driver will appreciate. Professional drivers have busy and often long days, and this is why the DELIVER 9 cabin area offers all the comfort and practicality of a mobile office space.

Packed with cutting-edge technology and practical features, you'll have everything you need and all operated at the touch of a button on a 10 inch touch screen. In addition to radio and navigation functions, the high spec includes USB ports for both the driver and passenger, so you can always

remain connected whether by laptop or by simply hooking up your smartphone to the system. A ready-to-go mobile office space. Use mirror link to access all your apps and emails, apple carplay™ and android auto adaptable.*

* * Touch screen with mirror link optional – Standard on Lux model

MULTI-FUNCTION STEERING WHEEL

CRUISE CONTROL SPEED LIMITER

Cruise Control allows you to set the cruising speed and keep it constant. The Speed Limiter allows you to set the maximum speed that the vehicle can reach, increasing safety and reducing the risk of violations. When the accelerator pedal is fully depressed, the driver can exceed the limit set for specific overtaking manoeuvres.

MAXIMUM COMFORT, MAXIMUM CONTROL

For the professional driver, we know how important a relaxed, comfortable space is as you go about your business. In the MAXUS DELIVER 9, comfort is paramount.

With our ever-changing climate, the importance of a good air conditioning system was always going to be a factor when it came to designing this vehicle. The DELIVER 9 models include manual air conditioning for your comfort and the comfort of your passengers. The variable control of the air conditioning system ensures that the temperature can be adjusted to the desired level easily and quickly. So you can always rely on a pleasant work environment, whatever the weather.

The DELIVER 9 gives ease of all controls at hand like cell phone, cruise control, speed and audio.



DRIVERS' ENVIRONMENT

COMFORT AND SAFETY

The DELIVER 9 offers eight adjustable driver seat options ranging from standard to comfort, with added lumbar support and armrest. Seating covers are built for comfort and durability and come in knit/grey heavy duty, hard-wearing fabric.

SIX AIR BAGS

Occupant safety is paramount in the DELIVER 9 with six airbags as standard, side & window curtain airbags in addition to driver and passenger front airbags.



Reverse parking sensors are standard fitment on DELIVER 9. Optional high mounted reversing camera with on screen guidelines in addition to front and rear parking sensors increase visibility and ensure safer parking (standard on Lux Model).



HUB CAPS AND RIMS

Steel centre caps on the standard DELIVER 9 and alloys on the luxury DELIVER 9 model.





COMPREHENSIVE SAFETY AS STANDARD

At MAXUS, safety is paramount and the DELIVER 9 meets all European commercial vehicle collision design standards.

Advanced driver assistance system as standard with the latest generation of Bosch 9.3ESP Electronic Stability Program and delivers comfort and peace of mind in any situation.

LCA Lane Change Assist + BSD Blind spot detection gives the driver the extra eyes when on route.

TRACTION CONTROL
TCS (traction control system) has been deactivated.

START/STOP WARNING
Informs the driver that Intelligent Stop / Start system is active and the engine has been shut down.

LANE DEPARTURE WARNING
Vehicle is detected to be moving out of its current lane with out signalling.

AUTOMATIC EMERGENCY BRAKING (AEB)
AEB system is turned off or when the radar sensor or cover is blocked with dirt or snow. Light means it has been deactivated.

ECO DRIVING INDICATOR
Eco function is activated.

PWR DRIVING INDICATOR
Power mode function is activated.

LANE CHANGE ASSIST BLIND SPOT DETECTION
Turns on when the lane assist system is switched on and road markings can be detected.





MAXUS Signature lense

8 Loading Eyes

236° Opening Angle

LED Signature Parking Lamp

Counter Sunk Lashing Rings

Non Slip Flooring

Rear Parking Sensors

Low Loading Step



LOADING COMPARTMENT

The DELIVER 9 offers a practical and efficient load area. Features include a heavy-duty steel bulkhead and rear doors that can be opened to 260° for ease of loading with a forklift, while the low rear step makes it easier to load cumbersome items. Eight heavy duty lashing rings help to secure heavy loads. Grab handles are ideally placed to assist when loading and unloading from the wide rear and side loading doors, and there's even an LED illuminated load compartment, which is great for those dark nights.





MAXUS

THE PURE DRIVING EXPERIENCE





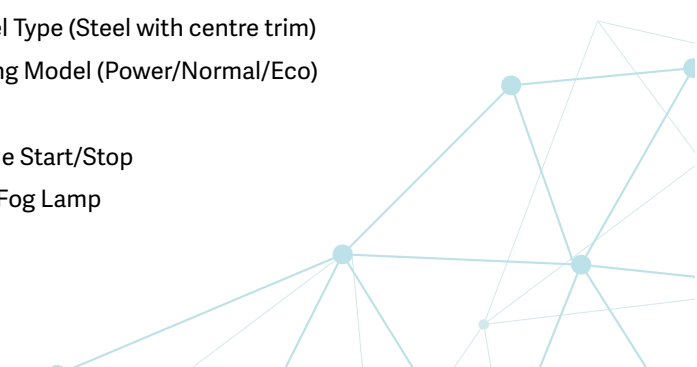
DELIVER 9 MODEL

Standard Equipment

- 236° Opening Angle (with Limited Gemel)
- 8-direction Adjustable Driver's Seat with armrest
- Adjustable non-Pretightening Belt
- Air conditioning
- Auto Latch (12mp/h)
- Automatic Emergency Braking System
- Automatic Off Headlights
- B Column Full Steel Unglazed Partition
- Central Lock
- Cruise Control System
- Driver and Passenger Safety Belt Buckle Reminder
- Driver Seat Airbags + Adjustable non-Pretightening Belt
- Dual Cargo light
- Electric Front Windows
- Electric Power Steering
- ESP+EBA+BAS+HHC

- Foldable Remote Control Key (1 Piece)
- Front Body-Colour Bumper
- Front Double Curtain Airbag
- Front Passenger Airbags
- FWD - Independent McPherson Strut Front Suspension
- RWD - Independent McPherson Strut Front Suspension
- FWD - Solid Axle Hodgkiss Dependant Suspension
- RWD - Drive Axle Leaf Spring
- Halogen Headlight
- Halogen Rear Lamp
- Ignition-off Auto Unlock
- Intelligent Anti-theft Security System
- Lane Departure Warning System
- LED Daytime Running Lights
- Manual DPF Regeneration button
- Outside Rearview Mirror (Natural Colour) Electric
- Multifunction steering wheel

- Natural Colour Handles
- Parking Sensor (Rear Only)
- Passenger Adjustable non-Pretightening Belt
- Radio+MP3+AUX+USB+Bluetooth
- Rear Bumper Nature Colour
- Seat Fabric (Knit/Gray)
- Single-Side Sliding Door
- Smoker Pack
- Tie down points (8)
- Wear Resistant Floor
- Wheel Type (Steel with centre trim)
- Driving Model (Power/Normal/Eco)
- eCall
- Engine Start/Stop
- Rear Fog Lamp





DELIVER 9 LUXURY MODEL

Additional equipment in DELIVER 9 Luxury Model

- + 10 Inch Touch Screen
- + 16" Alloy Wheels
- + Adjustable Overspeed Alarm
- + Apple Carplay and Android Auto
- + Blind Area Monitoring System
- + Body Colour Handles
- + Chrome Front MAXUS Hexagonal Signature Grill
- + Electric Side Step (Optional)
- + Electronic Lock Control
- + Infotainment System
- + Lane Change Assist System
- + LED Headlights
- + LED Day Time Running Light
- + No Key Entry and Start System

- + Parking Sensor (front and back)
- + Reverse Camera with Guide Assist
- + Tyre Pressure Monitoring System
- + Visible Reversing Image



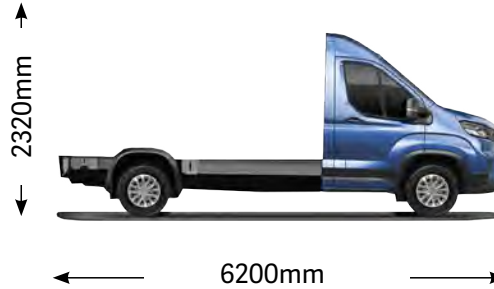
DELIVER 9 MODEL

Body Structure

All good things come in all shapes and sizes, the DELIVER 9 Panel van comes in 3 lengths with 4 roof heights. The DELIVER 9 also has 2 Chassis Cab Lengths to cater for a wide range of options.

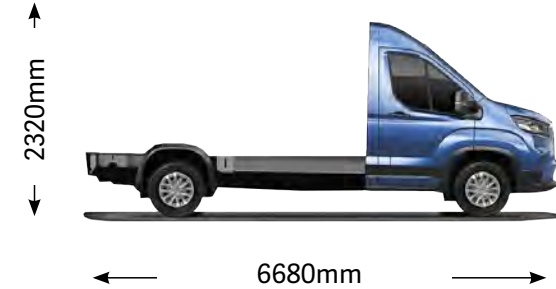
For further information see the Deliver 9 specifications on pages 20 -21.

STANDARD CHASSIS (MC)



MEDIUM

LONG CHASSIS (LC)



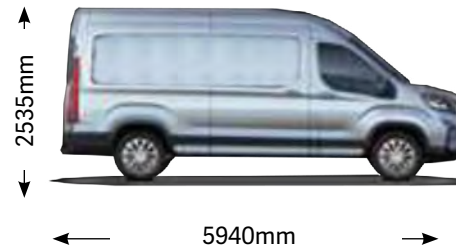
LONG



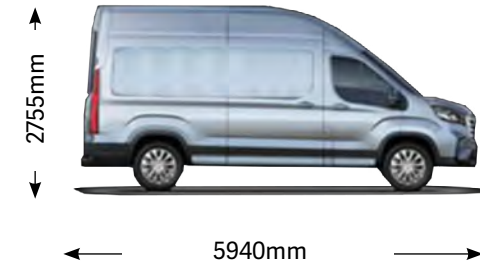
SHORT / MEDIUM ROOF (SM)



MEDIUM / HIGH ROOF (MH)



LONG / HIGH ROOF (LH)

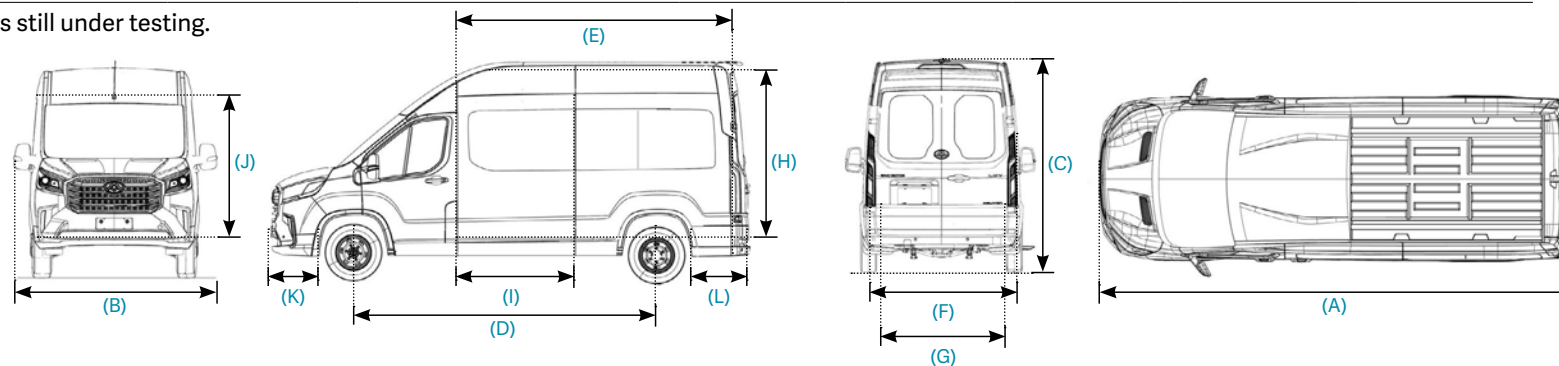


LONG / EXTRA HIGH ROOF (LXH)



| EU MODEL | SM VAN | MH VAN | LH VAN | LXH VAN | LH VAN | LXH VAN | MC CAB | LC CAB |
|---|------------|------------|------------|------------|------------|------------|------------|------------|
| | FWD | FWD | FWD | FWD | RWD | RWD | RWD | RWD |
| Dimensions | | | | | | | | |
| Overall length (A) | 5180 | 5546 | 5940 | 5940 | 5940 | 5940 | 6200 | 6680 |
| Overall width with mirrors (B) | 2466 | 2466 | 2466 | 2466 | 2466 | 2466 | 2466 | 2466 |
| Overall height (C) | 2385 | 2555 | 2535 | 2755 | 2535 | 2755 | 2320 | 2320 |
| Wheelbase (D) | 3000 | 3366 | 3760 | 3760 | 3760 | 3760 | 3760 | 4048 |
| Length cargo space (mm) (E) | 2650 | 3019 | 3413 | 3413 | 3413 | 3413 | 3673 | 4153 |
| Max width cargo space (mm)(F) | 1800 | 1800 | 1800 | 1800 | 1800 | 1800 | - | - |
| Max width cargo space between wheel arches (mm) (G) | 1366 | 1366 | 1366 | 1366 | 1366 | 1366 | - | - |
| Max height cargo space (mm) (H) | 1724 | 1892 | 1892 | 2114 | 1792 | 2014 | - | - |
| Slide door width (mm) (I) | 1075 | 1269 | 1269 | 1269 | 1269 | 1269 | - | - |
| Slide door height (mm) (J) | 1560 | 1670 | 1670 | 1670 | 1570 | 1570 | - | - |
| Turning radius (m) | 12.1 | 13.4 | 14.8 | 14.8 | 14.1 | 14.1 | 14.1 | 15.2 |
| Cargo volume (m ³) | 8.13 | 10.2 | 11.55 | 12.91 | 10.97 | 12.33 | - | - |
| Rear door entry width | 1570 | 1570 | 1570 | 1570 | 1570 | 1570 | - | - |
| Rear door entry height | 1570 | 1756 | 1756 | 1964 | 1656 | 1864 | - | - |
| Front overhang (mm) (K) | 1020 | 1020 | 1020 | 1020 | 1020 | 1020 | - | - |
| Rear overhang (mm) (L) | 1160 | 1160 | 1160 | 1160 | 1160 | 1160 | - | - |
| Rear step height (mm) | | | | | | | | |
| Others | | | | | | | | |
| Fuel tank capacity (Litres) | 80 | 80 | 80 | 80 | 80 | 80 | 80 | 80 |
| Number of seats | 3 | 3 | 3 | 3 | 3 | 3 | 3 | 3 |
| Max speed (km/h) | 160 | 160 | 160 | 160 | 145 | 140 | 140 | 140 |
| Max speed (mph/h) | 100 | 100 | 100 | 100 | 90 | 87 | 90 | 90 |
| Tyres | 215/75R16C | 215/75R16C | 215/75R16C | 215/75R16C | 215/75R16C | 215/75R16C | 215/75R16C | 215/75R16C |
| Tyre Load / Speed Index | 121/119s | 121/119s | 121/119s | 121/119s | 121/119s | 121/119s | 121/119s | 121/119s |

"-" means the data is still under testing.

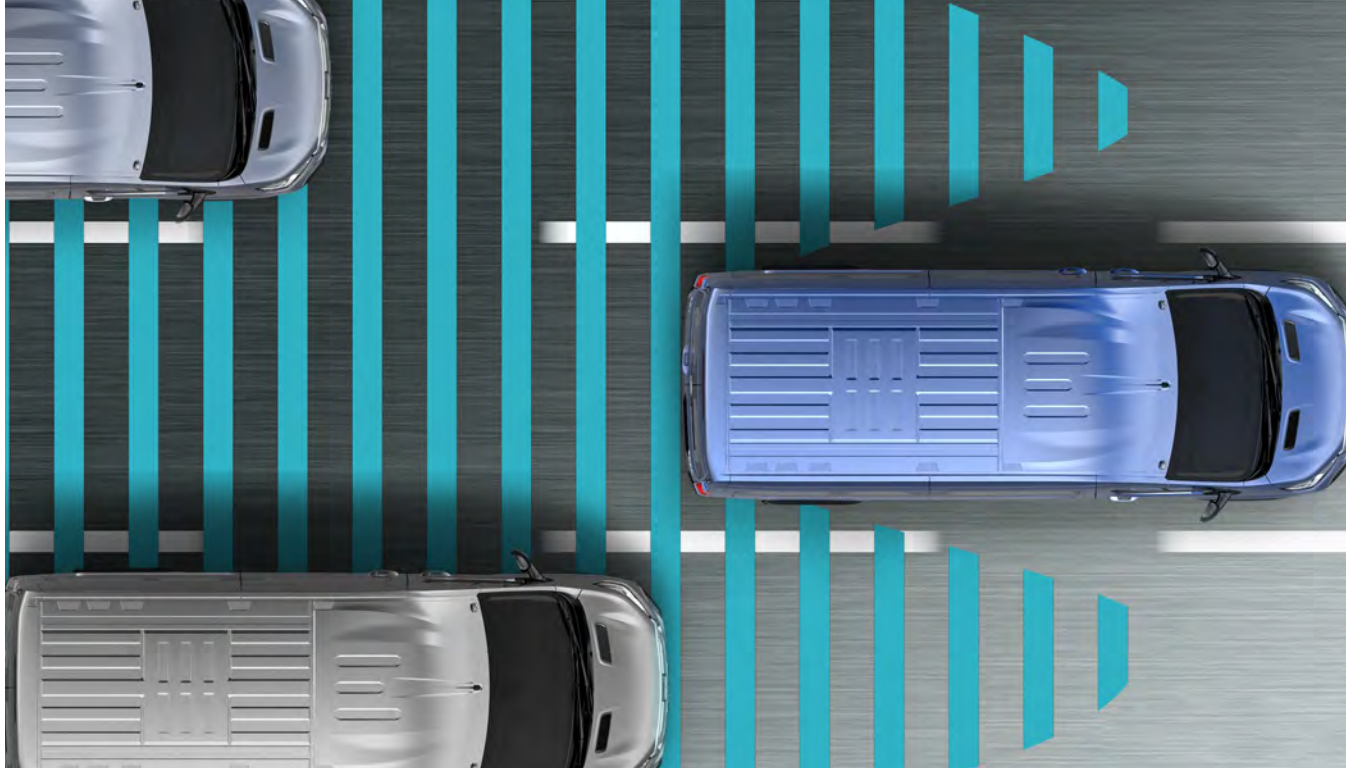


| EU MODEL | SM VAN | MH VAN | LH VAN | LXH VAN | LH VAN | LXH VAN | MC CAB | LC CAB |
|-----------------------------------|-------------------------------------|--------|--------|---------|-----------------------|---------|--------|--------|
| | FWD | FWD | FWD | FWD | RWD | RWD | RWD | RWD |
| ENGINE | | | | | | | | |
| Capacity (cc) | | | | | 1996 | | | |
| Cylinders/Volves | | | | | 4/16 | | | |
| Max power (kW / rpm) | 120 | 120 | 120 | 120 | 120 | 120 | 110 | 110 |
| Max torque (Nm / rpm) | 375 | 375 | 375 | 375 | 375 | 375 | 375 | 375 |
| Fuel system | D2.0L Turbo Diesel Direct Injection | | | | | | | |
| Euro status | Euro 6d | | | | | | | |
| Stop & Start System | Yes | | | | | | | |
| TRANSMISSION | | | | | | | | |
| Gearbox | Manual | | | | | | | |
| Number of gears | 6 | | | | | | | |
| ECONOMY Litres/100km | | | | | | | | |
| Low | - | - | - | - | 11.2 | 11.2 | - | - |
| Medium | - | - | - | - | 9.1 | 9.2 | - | - |
| High | - | - | - | - | 8.5 | 8.8 | - | - |
| Extra high | - | - | - | - | 10.9 | 11.7 | - | - |
| Combined | - | - | - | - | 9.8 | 10.2 | - | - |
| CO2 EMISSIONS (g/km) | | | | | | | | |
| Low | - | - | - | - | 294 | 292 | - | - |
| Medium | - | - | - | - | 239 | 241 | - | - |
| High | - | - | - | - | 222 | 231 | - | - |
| Extra high | - | - | - | - | 281 | 306 | - | - |
| Combined | - | - | - | - | 256 | 268 | - | - |
| WEIGHTS | | | | | | | | |
| Gross vehicle weight GVW (kg) | 3500 | 3500 | 3500 | 3500 | 3500 | 3500 | 3500 | 3500 |
| Kerb weight (kg) excluding driver | 2140 | 2210 | 2260 | 2300 | 2360 | 2390 | 1980 | 2020 |
| Max front axle load (kg) | 1950 | 1950 | 1950 | 1950 | 1950 | 1950 | 1950 | 1950 |
| Max rear axle load (kg) | 1900 | 1900 | 1900 | 1900 | 2440 | 2440 | 2180 | 2180 |
| Payload (kg)* | 1360 | 1290 | 1240 | 1200 | 1140 | 1110 | 1520 | 1480 |
| Gross train weights (GTW) | 5500 | 6000 | 6000 | 6000 | 6000 | 6000 | 6000 | 6000 |
| Towing capacity (braked) (kg) | 2500 | 2800 | 2800 | 2800 | 2800 | 2800 | 2800 | 2800 |
| Towing capacity (unbraked) (kg) | 750 | 750 | 750 | 750 | 750 | 750 | 750 | 750 |
| BRAKES Front/Rear | | | | | Front/Rear Disc Brake | | | |

*Excludes Driver

| Model | DELIVER 9 | DELIVER 9 LUX | |
|--|---|---------------|--------|
| Configuration | SAFETY CONFIGURATION | | |
| | Intelligent Anti-theft Security System | Y | Y |
| | Tyre Pressure Monitoring System | X | Y |
| | Lane Change Assist System | X | Y |
| | ESP+EBA+BAS+HHC | Y | Y |
| | Parking Sensor | Y | X |
| | Front and Rear Radar | X | Y |
| | Visible Reversing Image | X | Y |
| | Driver Seat Airbags | Y | Y |
| | Front Passenger Airbags | Y | Y |
| | Passenger Adjustable non-Pretightening Belt | Y | Y |
| | With eCall | Y | Y |
| | Automatic Emergency Braking System | Y | Y |
| | Lane Departure Warning System | Y | Y |
| | Blind Area Monitoring System | X | Y |
| | Front Double Curtain Airbag | Y | Y |
| | EXTERIOR AND INTERIOR | | |
| | Single-Side Sliding Door | Y | Y |
| | Wheel Type | Steel | Alloys |
| | B Column Full Steel Unglazed Partition | Y | Y |
| Non Automatic Front Wiper (No Bone) | Y | X | |
| Automatic Front Wiper (With Rain Sensor) | X | Y | |
| Pack Options | TRIM PACK | | |
| | Chrome Plated Radiator Grid | O | S |
| | Colour Coded Door External Handles | O | S |
| | Rear Number Plate Top Trim Colour Coded | O | S |
| | Instrument Panel hi level Chrome/Piano Black Trim | O | S |
| | Front Door Glass Lift Switch Chrome Plated | O | S |
| | Alloy Wheels (6.5jx16) | O | S |
| | Front Door Internal Handle Chrome Plated | O | S |
| | LIGHTING PACK | | |
| | LED Headlights + LED Rear Signature Taillights | O | S |
| | 2 LED Lights Cargo Area | O | S |
| | Front Fog Lamp | O | S |
| | SAFETY PACKS | | |
| | Automatic Front Wiper (with rain sensor) | O | S |
| | Overspeed Alarm | O | S |
| | Front Proximity Parking Sensor | O | S |
| | Blind Area Monitoring System + Lane Change Auxiliary System | O | S |
| | Tire Pressure Monitoring System | O | S |

| | | | |
|---|--|-----------|-----------|
| Pack Option | ENTERTAINMENT SYSTEM | | |
| | 10-inch Touch Screen (MP5+USB+ Bluetooth +Mobile Phone Mirroring)+4 Speakers (Bass +Treble)+Reverse Camera | O | S |
| | CONVENIENCE PACK 1 | | |
| | Keyless Access and Start System + 2 Smart Keys + Electronic Lock Control | O | S |
| | CONVENIENCE PACK 2 | | |
| Electric Side Step (N/S Sliding Door) | O | O | |
| COLOUR PACK | | | |
| Metallic Paint (Factory Colour Options) | O | O | |
| Configuration | EXTERIOR AND INTERIOR | | |
| | Halogen Headlight | Y | X |
| | LED Headlight | X | Y |
| | Halogen Rear Lamp | Y | X |
| | With LED Rear Lamp | X | Y |
| | With Rear Fog Lamp | Y | Y |
| | With Front Fog Lamp | X | Y |
| | LED Position Lamp | Y | Y |
| | COMFORT AND CONVENIENCE | | |
| | With Driving Model (Power/Normal/Eco) | Y | Y |
| | With Engine Start/Stop | Y | Y |
| | With PTO Interface(Link with RWD) | Y | Y |
| | Electric Power Steering | Y | Y |
| | Electronic Lock Control | X | Y |
| | Adjustable Over Speed Alarm | X | Y |
| | Air Conditioning | Y (Front) | Y (Front) |
| | Cruise Control System | Y | Y |
| | Electric Heating Outside Rear View Mirror (Natural Color) | X | Y |
| | Manual Outside Rear View Mirror (Natural Color) | Y | X |
| | Cigar Lighter | Y | Y |
| | No Key Entry and Start System | X | Y |
| | 8-direction Adjustable Driver's Seat | Y | Y |
| | Seat Fabric (Knit/Gray) | Y | Y |
| | 10 Inch Touch | X | Y |
| | Radio+MP3+AUX+USB+Bluetooth | Y | X |
| Electric Front Windows | Y | Y | |
| With Automatic Induction Lamp | Y | Y | |
| Ignition-off Auto Unlock | Y | Y | |
| Auto Latch (20km/h) | Y | Y | |
| Central Lock | Y | Y | |
| 236° Opening Angle (With Limited Gemel) | Y | Y | |
| Front bumper body-color bumper | Y | Y | |
| Rear Bumper Natural Color | Y | Y | |



BSD + LCA-BASE VERSION

The Lane Departure Warning System can determine whether the van is changing lane, even in low-visibility weather conditions. In the event of danger, an acoustic and visual signal alerts the driver of the potential impending threat.



STRUCTURE

9.2m laser welding, the longest in the industry. 54% high-strength steel and PHS. Accumulated 2 million kilometres of whole vehicle full environment test verification.



HIGH BEAM RECOGNITION

This manages the activation and deactivation of the main beam headlights, increasing visibility and reducing the risk of dazzling when driving at night, automatically recognising vehicles driving in the opposite direction.



ELECTRIC HEATED SIDE MIRROR

Heated electrically operated door mirrors ensure great rear visibility in all weather conditions.



TRACTION

Traction control system that improves the vehicle's traction on the most challenging surfaces with poor grip. Under conditions of low grip from any drive wheel, the control unit detects slipping and brakes it, transmitting the drive torque on the wheel with brakes, grip on the ground. In this way, the vehicle's performance is more comfortable.

TAKE YOUR PICK

3 years paint warranty
10 years anti - corrosion warranty

MAXUS continuously invests in the use of new materials, state-of-the art painting and cutting-edge manufacturing processes to ensure our vehicles deliver for our customers today, tomorrow and for many years to come.

The Deliver 9 come with 5 paint colour options standard colour Blanc White, and a cost option for metallic / customised paints, Ocean Blue, Aurora Silver Obsidian Black and Olive Brown. * denotes cost option.



Olive Brown
Metallic body colour*



Blanc White



Obsidian Black
Metallic body colour*



Ocean Blue
Metallic body colour*



Aurora Silver
Metallic body colour*

Images shown are for illustration purposes only. Duel Rear Wheel (available to Order Jan 2021).

DELIVER 9

CUSTOM VEHICLE OPTIONS



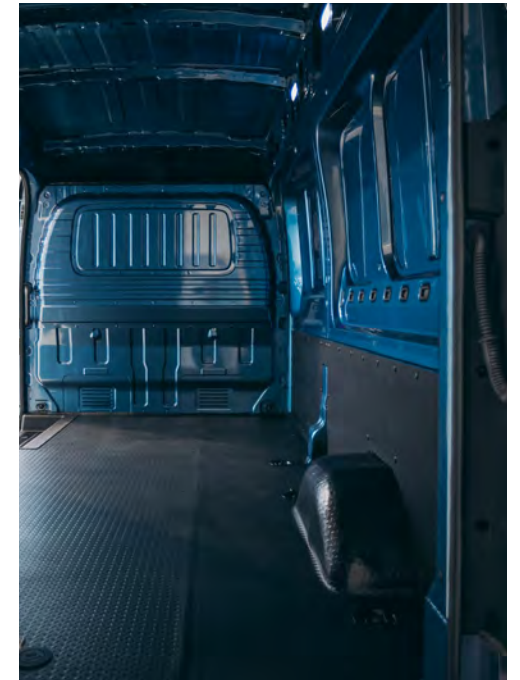
If your business requires a bespoke vehicle to match your specific working environments, MAXUS has a network of specialist converters that will work with you to create the conversion that best suits your needs. Whether an electric vehicle, drop side, tipper, ambulance, wheelchair accessible minibus or camper van, MAXUS offers you the choice to work with our in-house teams or one of our nationwide dealers or converters. Whichever avenue you choose, MAXUS will work with you through the entire process, from design to delivery, letting you concentrate on more important business - your business.

Working with MAXUS offers your business the reassurance and guarantee that each and every step of the way your design needs will be dealt with by professionals in this field.



DANGER
DO NOT STAND UNDER
DUMPING BODY

AXIUS





IRL **MAXUS**
www.maxus.co.uk

MAXUS SERVICES

Warranty

5 Years Warranty

Your vehicle is covered by a warranty package for 5 years or 125,000 miles (200,000 Kms) from date of first registration. Your MAXUS Dealer or MAXUS EV Dealer is able to repair or replace, without charge, parts that are found to have a material or assembly defect that is recognised by MAXUS. The paintwork warranty runs for 3 years and the anti-corrosion warranty for 10 years.

For full warranty terms and conditions please visit MAXUS website /warranty.

MAXUS Assist

5 Years MAXUS Assistance

Should you need it, we'll provide emergency roadside repairs or recover you to the nearest MAXUS Dealer or MAXUS EV Dealer. This service is available 24 hours a day and is provided for 5 years or 125,000 miles (200,000 Kms) from the date of first registration, whichever comes first. Assistance is provided within the UK & Northern Ireland only at roadside and home and includes national recovery to nearest dealer or Home dealer. Assistance applies to mechanical or electrical defects which are covered by warranty.

Service Intervals

DELIVER 9 Diesel Service: 3 months free inspection. Then 12 months or 18,645 miles (30,000 Kms) thereafter. MAXUS Dealer Network Services. No-one is better placed than MAXUS to maintain, fit and repair your Deliver 9 fast. MAXUS Dealers repair and maintenance and offer a full year's guarantee on Original MAXUS Parts. And don't forget to have a look at our wide range of additional equipment and accessories!

MAXUS Auto care

MAXUS Auto Care is an innovative Service, Maintenance & Repair product that supplies business customers with a fully supported, hassle-free service and maintenance package. MAXUS Auto Care is a "Pay-As-You-Go" product that ensures your vehicle is maintained by MAXUS technical experts when work is required.

MAXUS Auto Care provides the following benefits:

- Full service, maintenance and repair cover
- Tyres can be included within the contract at an additional fixed cost
- Ancillary equipment can also be included (at an additional fixed monthly cost)
- Excludes: Damage/Neglect/Abuse/Glass and bulbs
- A fixed, pre agreed pence per mile rate
- No excess mileage charges at the end of the contract
- No pooled mileage administration
- Minimises downtime

For more information and to obtain a quote based on your requirements, please speak to your local MAXUS Auto Care dealer or visit the MAXUS website.

Customer Relations

MAXUS knows the value of communicating with its business customers and we have established effective ways to support you and your business. Speak to your local MAXUS dealership, if you are not completely satisfied, please contact the MAXUS UK office on 0800 246 5888.

(Mon-Fri 9.00am to 5.30pm, Closed on Bank Holidays).

You can also visit our website:

www.saicmaxus.co.uk

www.saicmaxus.ie

Or write to us at: maxusfleet@saicmaxus.co.uk

MAXUS HQ Ireland

Harris Maxus UC, Naas Road, Dublin, D12 V065

MAXUS HQ United Kingdom

Harris Maxus, 719 Eddington Way, Birchwood Park, Warrington, WA3 GBA

MAXUS Finance Options

There is a wide variety of ways to purchase a new vehicle.

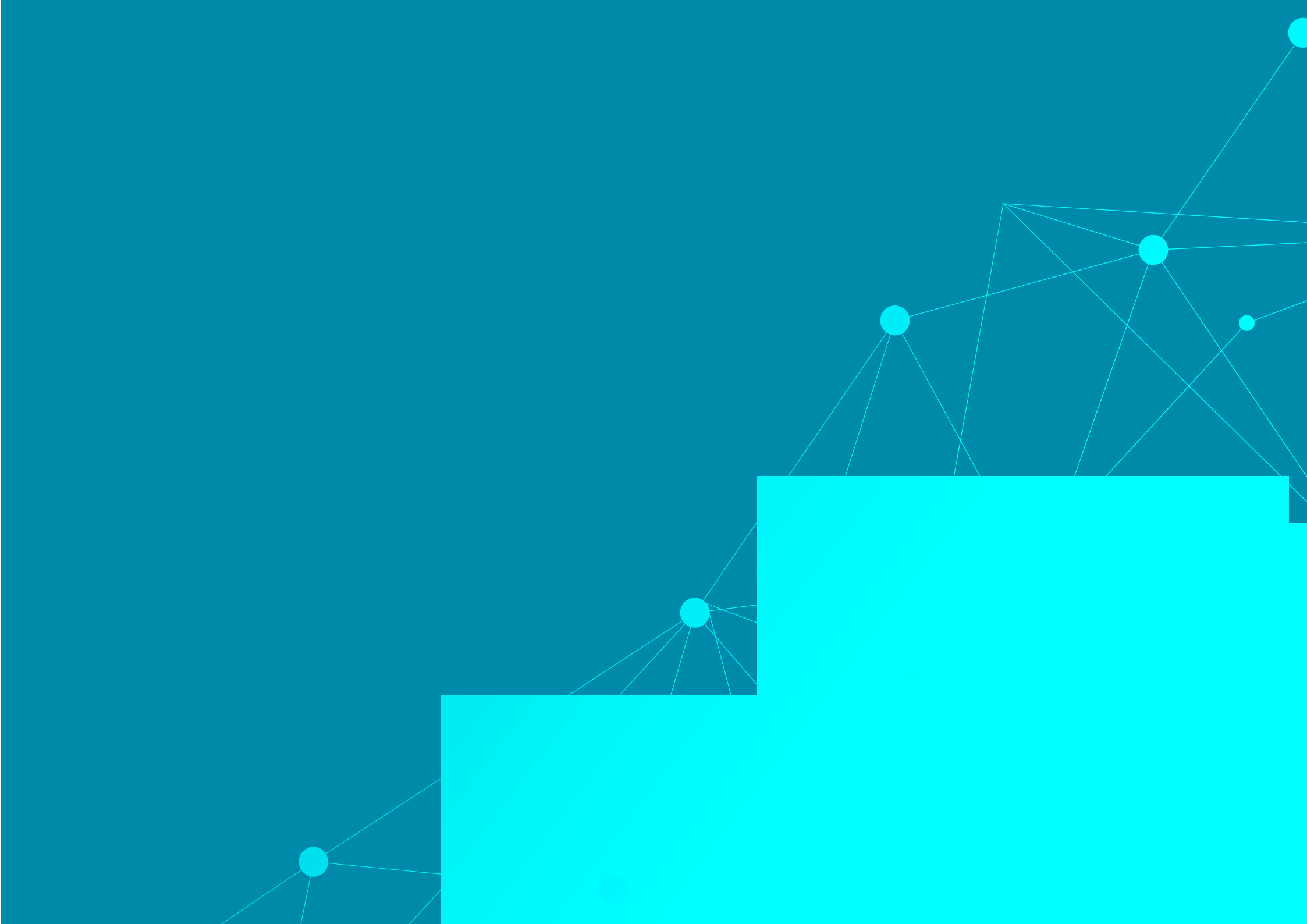
Your local MAXUS dealer can help arrange :

HP, Contract Hire, Leasing

Finance offers available to all , so whether you're a fleet buyer or private buyer, MAXUS dealers are ideally placed to tell you which plan or combination of plans best suits your needs and circumstances.

Subject to status, terms and conditions apply.

Contact your local MAXUS dealer or MAXUS Website for further details.





Your local dealer



HARRIS MAXUS U.C.

FIND US @     

MAXUS Disclaimer:

Images shown in this brochure are for illustration purposes only. Actual vehicles may differ and are subject to change.

Specifications, standard equipment, options, fabrics and colours are subject to change without notice.

Some features may be unavailable when your vehicle is built. Some vehicles are pictured with options that may be available at extra cost or may not be available on certain models. Ask about availability of options and verify that the vehicle you ordered includes the equipment you ordered.

*5 year/125,000 mile (200,000 Kms) warranty and 5 years roadside assistance. Terms and conditions apply.

www.saicmaxus.co.uk

www.saicmaxus.ie



MAXUS
eDELIVER 9

MAXUS
eDELIVER 3



MAXUS eDELIVER RANGE

GOING THE EXTRA MILE



MANUFACTURER

Innovative, thought-leading, and future-focused, Shanghai Automotive Industry Corporation (SAIC) is the largest automotive group in China, and is the name behind the MAXUS (formerly LDV) brand.

Based in Shanghai, SAIC produces almost seven million vehicles each year for both domestic and international markets and is a Fortune Global 500 listed company with almost 100,000 employees.

With a long history tracing back to the 1940s, SAIC saw real growth from the mid-1980s onwards following a number of partnerships that allowed it to produce competitive vehicles by utilising the latest technology.

The company has a number of well-known brands within its portfolio including, since 2010, the acclaimed MAXUS range of LCVs. SAIC has invested more than €2 billion in this brand, with a strong focus on safety, innovation and the introduction of new products to the range, including a suite of EVs that are already setting the standard for the future of eco-fuelled commercial motoring.

Since acquiring LDV, these LCVs were manufactured under the MAXUS moniker for the home market in China in addition to selected left hand drive markets in Europe such as Spain, Belgium and The Netherlands. In April 2020, LDV rebranded as MAXUS across right hand drive Europe, coinciding with the launch of the all-new eDELIVER 9 and the newest EV in the brand's stable, the eDELIVER 3, thereby consolidating the brand's presence across Europe, China and beyond.

With an even brighter future ahead, SAIC's key areas of development are electrification, car sharing, connectivity and globalisation. Today, there are eight major automotive groups within SAIC, including SAIC MAXUS.

SAIC's vision is to continue to build an innovative, globally-recognised company that pioneers the future of the automotive industry, actively promoting new energy vehicles.

DISTRIBUTOR

You are the expert in your field but when it comes to automotive expertise, The Harris Group is here to guide you through your search for the right vehicle for your business. One of the longest-established automotive distribution and assembly companies in Ireland and the UK, The Harris Group was founded in 1961 and is an industry leader in the commercial and fleet sectors.

The privately-owned company is best known for its commercial vehicle brands that include Hino, Sinotruk, Higer, Isuzu, AOS and Crusader. In 2016, The Harris Group acquired the distribution rights to MAXUS (formerly LDV) across right hand drive Europe and the range of LCVs, which includes market-leading electric vehicles, has taken the market by storm.

The Harris Group has developed an unrivalled reputation for service excellence in the UK and Ireland, which comes from almost 60 years of experience. Harris is the distributor for the MAXUS range of vehicles in the UK, Ireland, Channel Islands, Isle of Man, Malta and Cyprus.



OUR NETWORK

With a strong dealer network of dedicated and experienced commercial vehicle specialists, we offer the highest standards of expertise whether you are looking to buy one van or an entire fleet.

Following a high-profile relaunch of the LDV brand in 2016, Harris is continuing to build its network across all right hand drive markets in Europe.

Today, the Group represents the MAXUS range in a total of seven territories, including the UK, Ireland, Channel Islands, Isle of Man, Malta and Cyprus, with the company focussed on a big drive to expand the dealer network throughout the UK.

Every dealer within the company's network operates with a strong focus on after-sales activities, thereby ensuring complete customer satisfaction.

Check out www.saicmaxus.co.uk to find your local dealer.







MAXUS





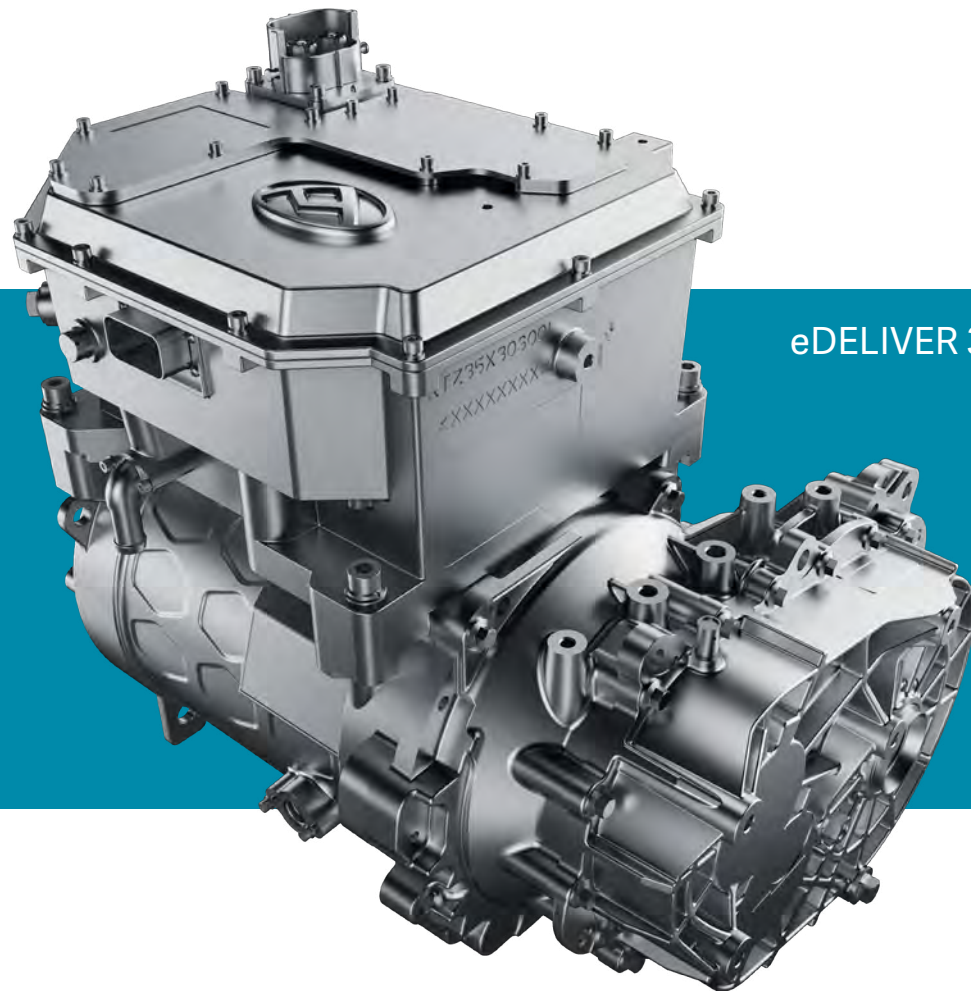
GOING THE EXTRA

MILE



HIGH POWER LOW ENERGY MOTOR

MAXUS
eDELIVER 3



eDELIVER 3

ELECTRIC POWERTRAIN

HIGH POWER LOW ENERGY MOTOR

The maximum power is 90kW; the peak torque is 255N·m; the acceleration time of 0-100km/h is 11s.

PROVIDE DC + AC DUAL CHARGING MODE

DC mode: 45 minutes can charge 80% of electricity, 80 minutes can be charged to 100%.



35kWh BATTERY

CATL



52.5kWh BATTERY

SAIC are the leaders in the technical revolution, continually leading the way in the development of new technology and solutions for the automotive industry.

A part of that revolution is being the market leaders in battery technology, we have developed a number of battery options for the eDELIVER 3, by using various battery cooling methods, which allows us to reduce charging time (DC 45mins (5%-80%) AC 5hrs), extend battery life and increase the operating range.

The eDeliver 3 comes with a 90KW /255Nm motor, AC/DC charging options and a choice of 35Kw or 52.5kw battery configurations.



STORAGE SYSTEM

The new Maxus eDELIVER range of vehicles offer all the storage you need to keep your cab area neat & organised. There is a place for everything, in addition to the glovebox there are storage areas in the door pockets to keep things close to hand. Larger items can be stored under the seats in both the eDELIVER 3 & the eDELIVER 9. In the eDELIVER 9 there is the added bonus of a folding seatback which reveals two further cup-holders and a handy tablet holder.

- USB port and mini jack port¹ (driver and passenger)
- Storage space under the bench seat
- Storage compartments in the doors
- Cup holder (driver and passenger)
- 12 V power socket





The Infotainment System takes the MAXUS eDELIVER 3 driving experience from ordinary to extraordinary

MAXUS eDELIVER 3 model offers a pure driving experience that any van driver will appreciate. Professional drivers have busy and often long days, and this is why the eDELIVER 3 cabin area offers all the comfort and practicality of a mobile office space.

Packed with cutting edge technology and practical features, you'll have everything you need and all operated at the touch of a button via touch screen. In addition to the radio functions, the high spec includes USB ports for both the driver and passenger, so you can always remain connected wheth-

er by laptop or by simply hooking up your smartphone to the system. A ready-to-go mobile office space. Use the link to access all your apps and emails.

MAXUS
eDELIVER 3

MULTI-FUNCTION STEERING WHEEL

MULTI FUNCTION STEERING WHEEL

Make use of important features using the multi-function steering wheel whilst keeping full control of your vehicle. Answer and hang-up your mobile phone, control the volume of the stereo and manage the cruise control functions whilst keeping both hands on the steering wheel.

CRUISE CONTROL

Cruise Control allows you to set the cruising speed and keep it constant.

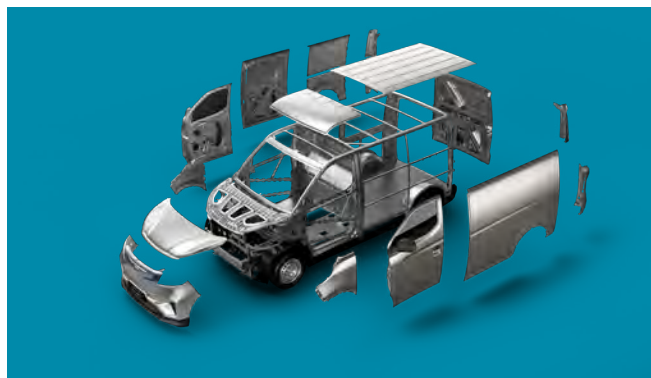


DRIVERS' ENVIRONMENT COMFORT AND SAFETY

COOL, CALM AND IN CONTROL

Stay cool at all times with the eDELIVER smart air conditioning system with our ever-changing climate, the importance of a good air conditioning system was always going to be a factor when it came to designing this vehicle. The eDELIVER models include manual air conditioning for your comfort and the comfort of your passengers. The variable control of the air conditioning system ensures that the temperature can be adjusted easily and quickly. So you can always rely on a pleasant work environment, whatever the weather.

Unique design, aluminium monocoque frame, composite plastic front panels for maximum payload and durability.





COMPREHENSIVE SAFETY STANDARDS

At MAXUS, safety is paramount and the eDELIVER 3 meets all European commercial vehicle collision design standards.

Advanced driver assistance system as standard with the latest generation of ESP Electronic Stability Program and delivers comfort and peace of mind in any situation.

- 7 Inch Touch Screen
- Daytime Running Lamp
- Driver and Passenger Airbag*
- Driver-S/Belt Reminder
- Eco Drive Mode Setting
- ESC (ESP)
- Hand Brake
- Multifunction Steering Wheel
- Visual Reversing Camera
- Rear Proximity Sensor
- Tyre Pressure Monitoring System

MAXUS
eDELIVER 3

MAXUS eDELIVER 3

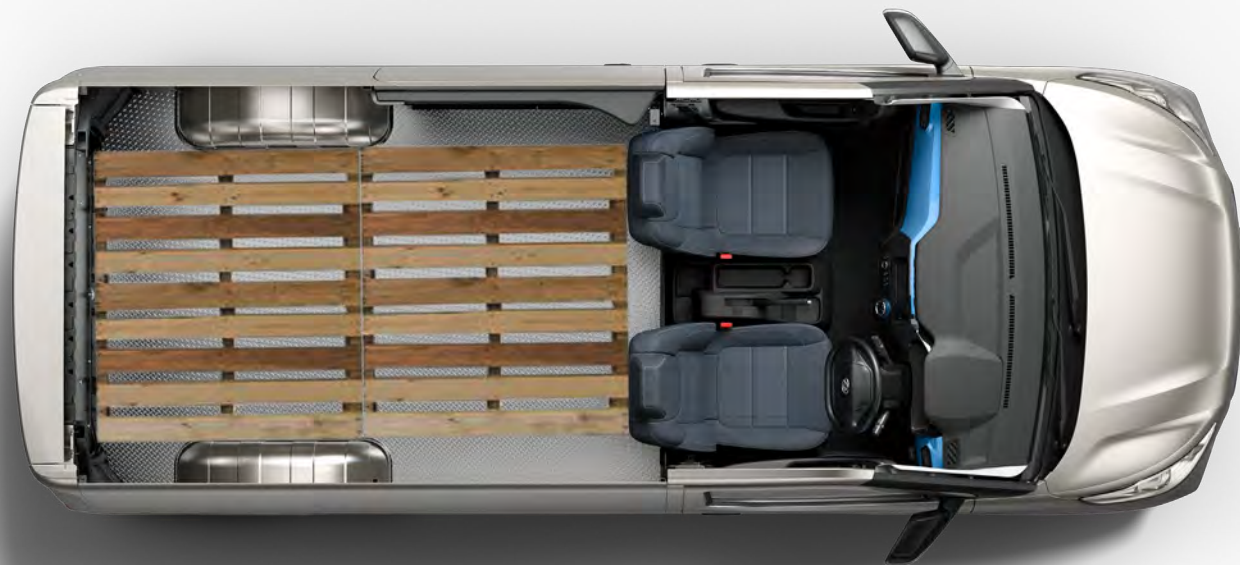


eDELIVER 3 MODEL Standard Equipment

- 2 Driving Modes
- 3 Energy Recovery Modes
- 6 Cargo Area Floor Strapping Rings
- Air Conditioning
- Alloy wheels (Optional)
- Automatic On/Off Headlights
- Bluetooth and CarKit
- Cargo Area Partition (Optional With Glass)
- Cruise Control
- Daytime Running Lights
- Driver Airbag
- Driver Seatbelt Lock Reminder
- Electric Adjustment Of Outside Mirror
- Electric Power Assisted Steering
- Electric Windows
- ESC - Electronic Stability Control
- Front & Rear Ventilated Discs
- Front McPherson Independent Suspension
- Front Passenger Airbag
- Handbrake
- Heated Seats
- Height Adjustable Steering wheel
- Immobiliser
- Leather Steering wheel
- Multifunction Steering Wheel
- Rake Adjustable Steering Wheel
- Rear Leaf Spring Suspension
- Reversing Camera
- Rear Parking Sensors
- Stainless Steel Cargo Area Floor
- Ternary Polymer Lithium Battery
- Touch Screen 7 inch



MAXUS eDELIVER 3



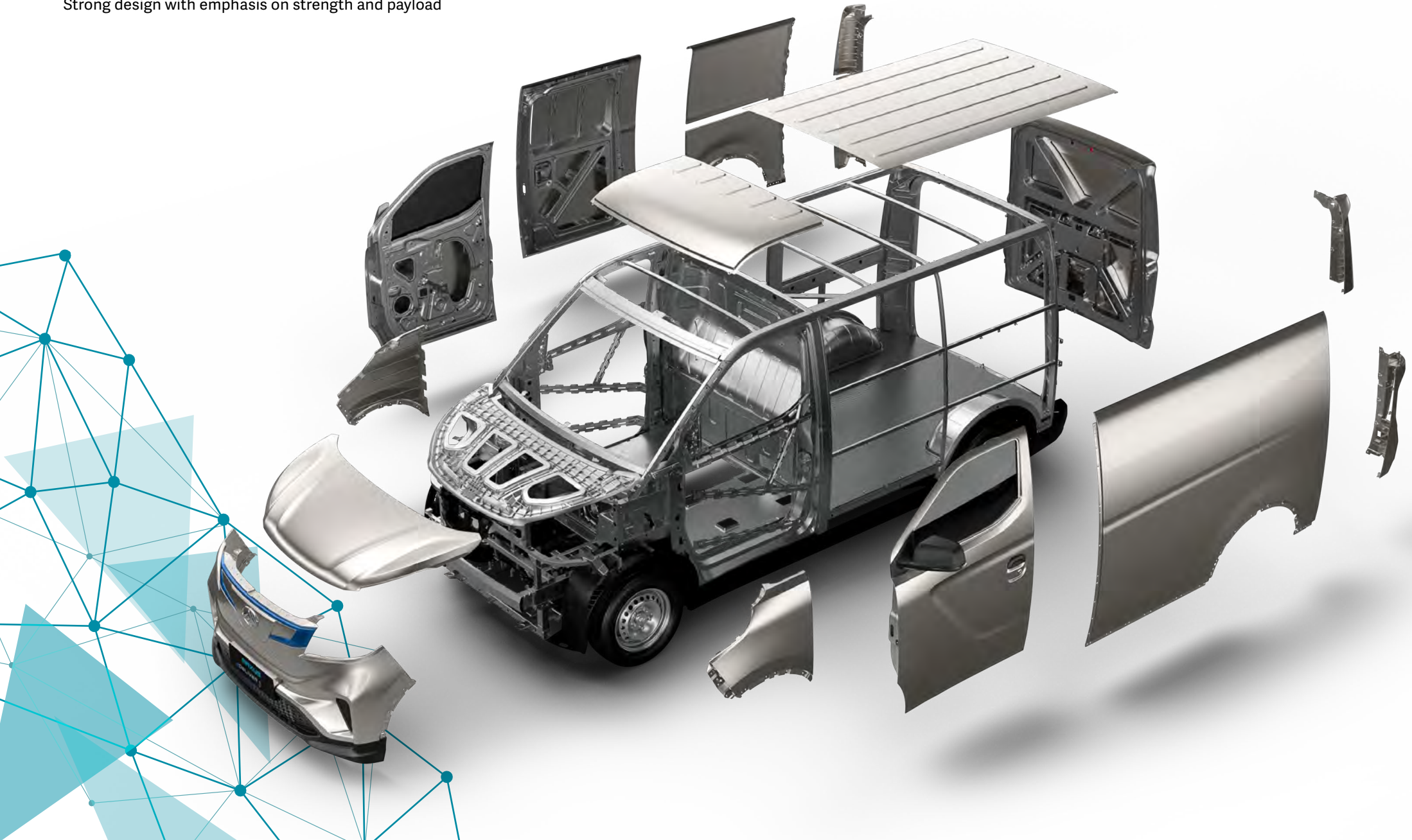
LOADING COMPARTMENT

The width of the compartment is 1665mm. The cargo area offers optimal ease of loading with the short wheelbase for the van of 4.8 cubic metres and the long wheel base of 6.3 cubic metres.



eDELIVER 3 MODEL Body Structure

The design uses aerodynamic principles to reduce wind resistance and lighten the entire vehicle. A large number of aluminum alloys and polymer composite materials are used. Strong design with emphasis on strength and payload



| MAXUS e DELIVER 3 | SWB 35kWh | SWB 52.5kWh | Chassis cab 52.5kWh |
|---|--------------------------------|---------------------------|----------------------------|
| WEIGHTS | | | |
| GVM (kg) | 2310 | 2460 | 2630 |
| CVW (kg) | 1455 | 1555 | 1428 |
| Max front axle load (kg) | 1170 | 1170 | 1180 |
| Max rear axle load (kg) | 1260 | 1460 | 1460 |
| Payload (kg) | 865 | 905 | 1202 |
| Max roof load (kg) | 75 | 75 | TBC |
| Towing capacity (unbraked) (kg) | 750 | 750 | TBC |
| Towing capacity (braked) (kg) | 1200 | 1090 | |
| ENGINE | | | |
| Drive type | RHD | RHD | RHD |
| Number of seats | 2 | 2 | 2 |
| Rated power/peak power (kW) | 40/90 | 40/90 | 40/90 |
| Rated torque/Max. torque (N.m) | 125/255 | 125/255 | 125/255 |
| Max speed (kmph /mph) | 120/75 | 120/75 | 120/75 |
| Acceleration 0-100km/h (sec) | 11 | 12 | TBC |
| GEAR RATIOS | | | |
| | Internal Gearbox Ratios | Final Drive Ratios | |
| Max CVT | N/A | N/A | TBC |
| 1 | 2.5 | 3.739 | TBC |
| Min CVT | N/A | N/A | TBC |
| Reverse | 2.5 | 3.739 | TBC |
| DIMENSIONS | | | |
| Dimension : L *W *H (mm) | 4555 X 1780 X 1895 | 4555 X 1780 X 1895 | 5037X1780X1866 |
| Wheel base (mm) | 2910 | 2910 | 3285 |
| Length cargo space (mm) | 2180 | 2180 | TBC |
| Max width cargo space (mm) | 1665 | 1665 | TBC |
| Max width cargo space between wheel arches (mm) | 1220 | 1220 | TBC |
| Max height cargo space (mm) | 1330 | 1330 | TBC |
| Slide door width (mm) | 710 | 710 | TBC |
| Slide door height (mm) | 1230 | 1230 | TBC |
| Turning radius (m) | 5.87 | 5.87 | 6.53 |
| Cargo volume (m³) | 4.8 | 4.8 | TBC |
| CHARGING | | | |
| Charging time(AC 100%) h | 6 | 8 | 8 |
| Charging time (DC 80%) min | 45 | 45 | 45 |
| Battery capacity (kWh) | 35 | 52.5 | 52.5 |
| Energy consumption WLTP combined (Kwh/100km) | 24.36kwh/100km | 23.63kwh/100km | TBC |
| RANGE | | | |
| WLTP City Range | 141 Miles/ 227 KMS | 213 Miles/ 344 KMS | TBC |
| WLTP Combined Range | 99 Miles/ 159 KMS | 151 Miles/ 243 KMS | TBC |

LOADING COMPARTMENT

eDELIVER 3



MAXUS eDELIVER 3

eDELIVER 3 MODEL

3 years paint warranty
10 years anti - corrosion warranty

MAXUS continuously invests in the use of new materials, state-of-the-art painting and cutting-edge manufacturing processes to ensure our vehicles deliver for our customers today, tomorrow and for many years to come. Black and Silver (available to Jan Order 2021)



Blanc White



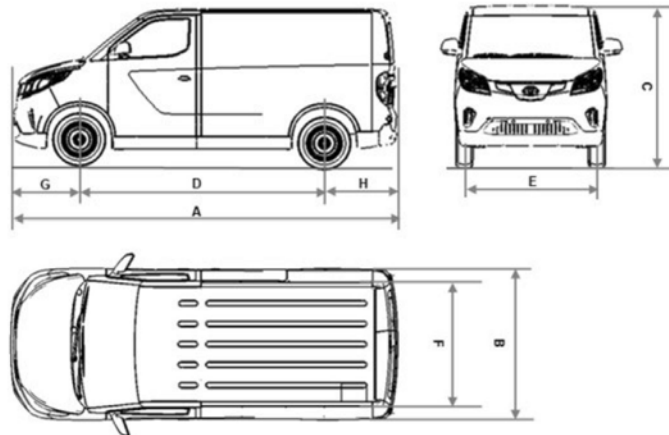
Aurora Silver
Metallic body colour*



Obsidian Black
Metallic body colour*



SWB (4555mm Overall Length)



| | |
|----------------------|------|
| Length (A) | 4555 |
| Width (B) | 1780 |
| Height (C) | 1895 |
| Wheel Base (D) | 2910 |
| Track - 1st axle (E) | 1548 |
| Track - 2nd axle (F) | 1553 |
| Front Overhang (G) | 780 |
| Rear Overhang (H) | 865 |

CHASSIS (5144mm Overall Length)

| | |
|----------------------|------|
| Length (A) | 5090 |
| Width (B) | 1780 |
| Height (C) | 1885 |
| Wheel Base (D) | 3285 |
| Track - 1st axle (E) | 1548 |
| Track - 2nd axle (F) | 1553 |
| Front Overhang (G) | 780 |
| Rear Overhang (H) | - |

* denotes cost option



MAXUS



MAXUS



GOING THE EXTRA

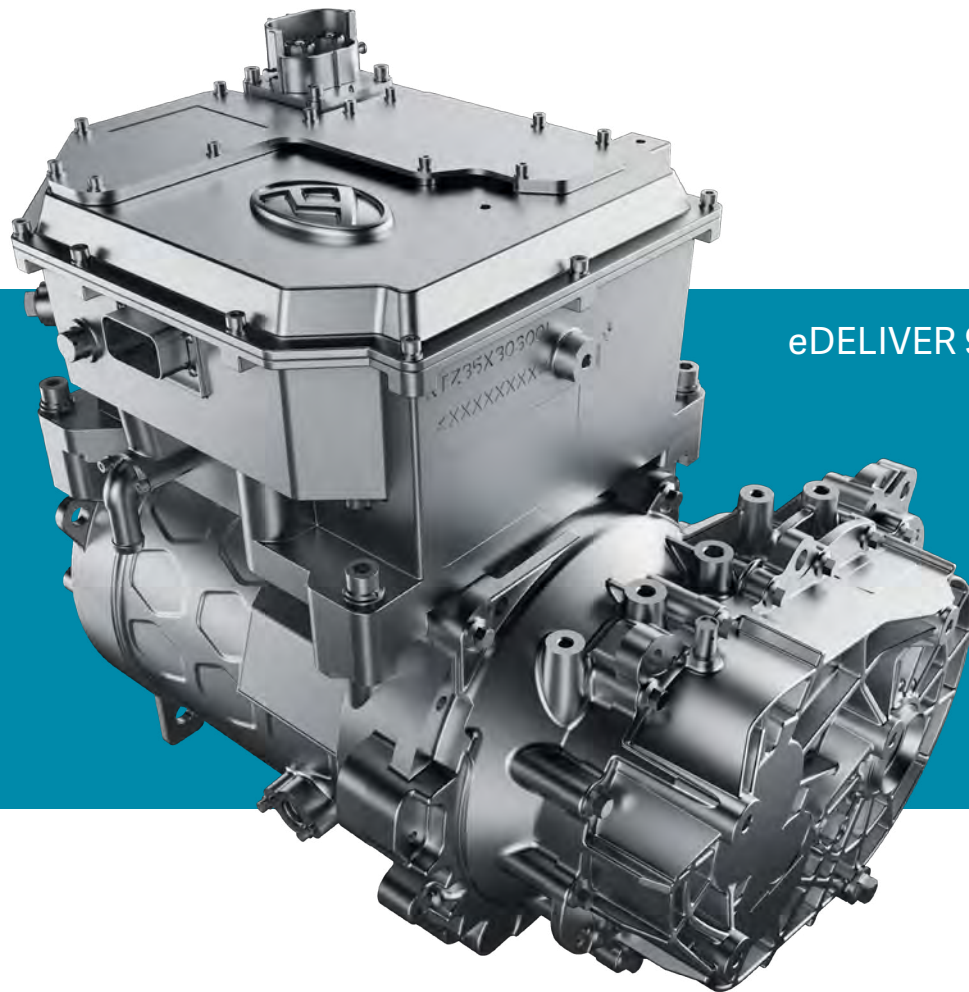
MILE





HIGH POWER 150KW LOW ENERGY MOTOR

MAXUS
eDELIVER 9



eDELIVER 9

ELECTRIC POWERTRAIN

HIGH POWER LOW ENERGY MOTOR

The Maximum Power is 150Kw , the peak torque is 310Nm” and change the 0-100kms/hr to 0-50kms/hr and the time from 11secs to 5.7secs.

PROVIDE DC + AC DUAL CHARGING MODE

DC mode: 45 minutes can charge 80% of electricity,80 minutes can be charged to 100%.



51.5KWH BATTERY

CATL



72kWh OR 88.55kWh BATTERY

SAIC are the leaders in the technical revolution, continually leading the way in the development of new technology and solutions for the automotive industry.

A part of that revolution is being the market leaders in battery technology, we have developed a number of battery options for the eDELIVER 9, by using various battery cooling methods, which allows us to reduce charging time (DC 45mins (5%-80%) AC 5hrs), extend battery life and increase the operating range.

The eDELIVER 9 comes with a 150Kw / 310Nm motor and a choice of 3 batteries configurations, 51.5kwh, 72Kwh and 88.55 Kwh with A/C & DC charging as standard.



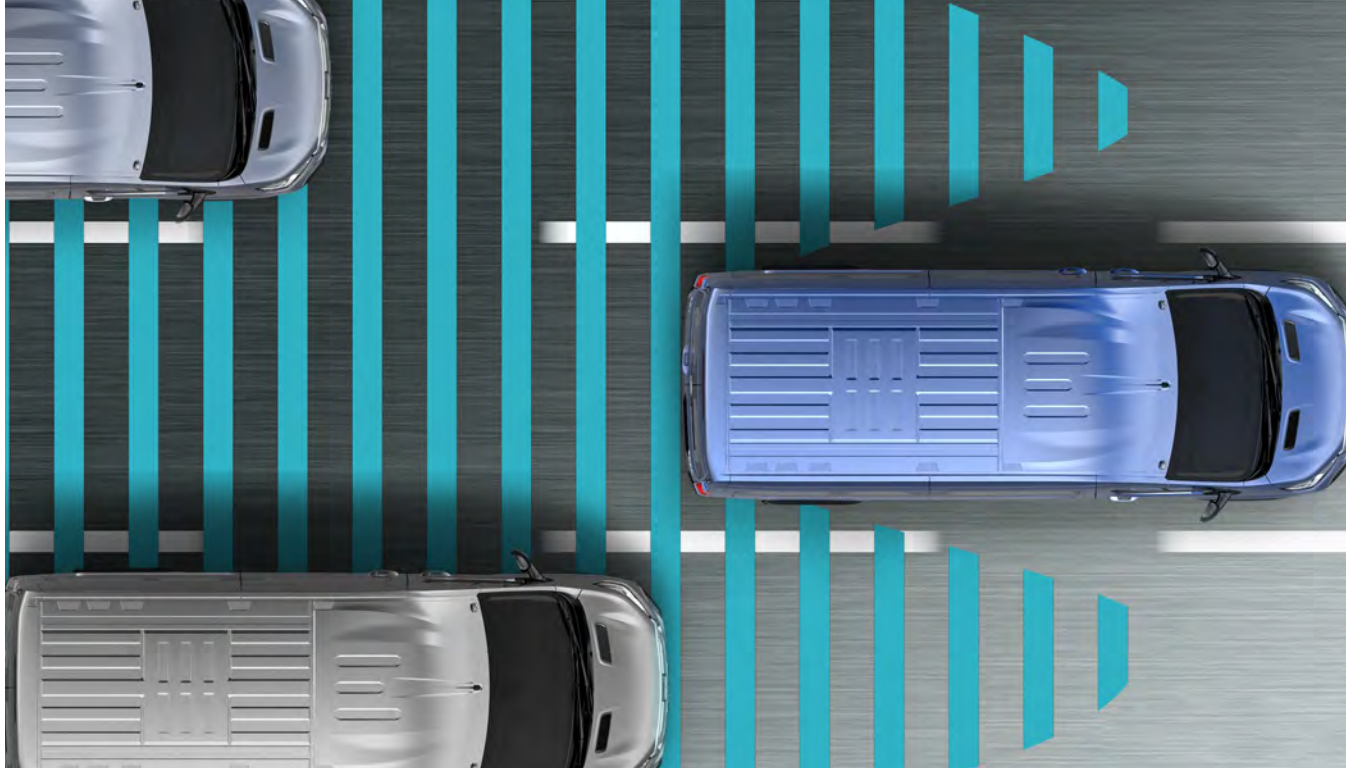


eDELIVER 9 MODEL

Standard Equipment



- 10 Inch Touch Screen
- 16" Alloy Wheels
- 236° Opening Angle (with Limited Gemel)
- 8-direction Adjustable Driver's Seat with armrest
- Adjustable non-Pretightening Belt
- Adjustable Overspeed Alarm
- Air conditioning
- Auto Latch (8mp/h)
- Automatic Emergency Braking System
- Automatic Off Headlights
- B Column Full Steel Unglazed Partition
- Blind Area Monitoring System
- Body Colour Handles
- Central Lock
- Chrome Front MAXUS Hexagonal Signature Grill
- Cruise Control System
- Driver and Passenger Safety Belt Buckle Reminder
- Driver Seat Airbags
- Driving Model (Power/Normal/Eco)
- Duel Cargo light
- eCall
- Electric Front Windows
- Electric Heating Side Mirrors (Natural Colour)
- Electric Power Steering
- Electric Side Step (Optional)
- ESP+EBA+BAS+HHC
- Front Body-Colour Bumper
- Front Double Curtain Airbag
- Front Passenger Airbags
- Ignition-off Auto Unlock
- Infotainment System
- Intelligent Anti-Theft Security System
- Lane Change Assist System
- Lane Departure Warning System
- LED Day Time Running Light
- LED Headlights
- Multifunction steering wheel
- No Key Entry and Start System
- Parking Sensor (Front and Back)
- Passenger Adjustable non-Pretightening Belt
- Rear Bumper Nature Colour
- Rear Fog Lamp
- Reverse Camera with Guide Assist
- Seat Fabric (Knit / Gray)
- Single-Side Sliding Door
- Smoker Pack
- Tie Down Points (8)
- Tyre Pressure Monitoring System
- Reversing Camera
- Wear Resistant Floor



MAXUS eDELIVER 9

BSD + LCA-BASE VERSION

The Lane Departure Warning System can determine whether the van is changing lane, even in low-visibility weather conditions. In the event of danger, an acoustic and visual signal alerts the driver of the potential impending threat.



HIGH BEAM RECOGNITION

This manages the activation and deactivation of the main beam headlights, increasing visibility and reducing the risk of dazzling when driving at night, automatically recognising vehicles driving in the opposite direction.



ELECTRIC HEATING SIDE MIRROR

Heated electrically operated door mirrors ensure great rear visibility in all weather conditions.



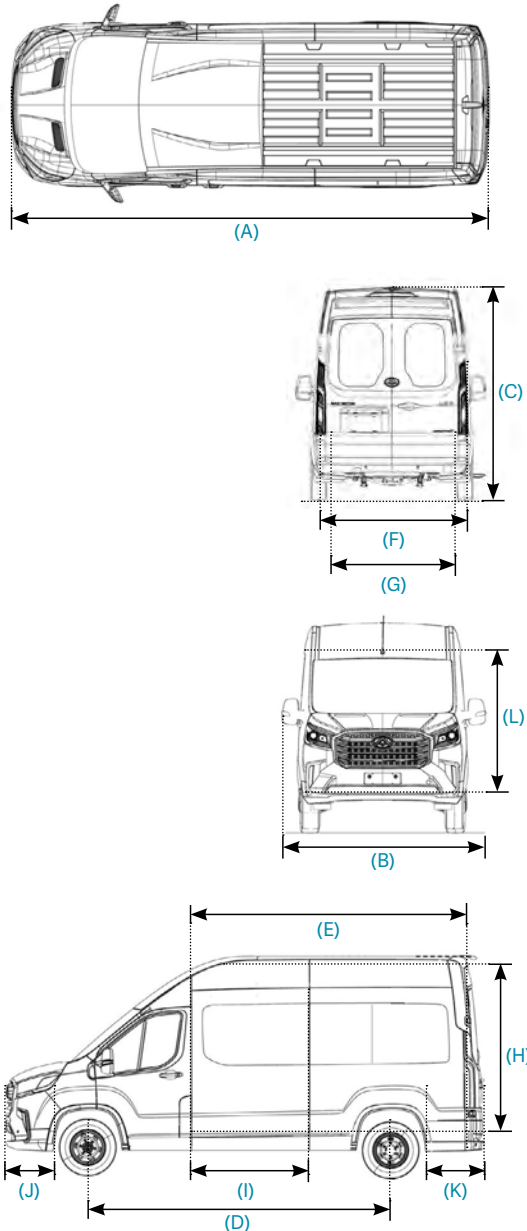
STRUCTURE

9.2m laser welding, the longest in the industry. 54% high strength steel and PHS. Accumulated 2 million kilometres of whole vehicle full environment test verification

| MAXUS eDELIVER 9 | MH | | LH | | LH | MC CAB | LC CAB |
|---|---------------------------|-------------------------|---------------------------|-------------------------|----------------------------|-------------------------|-------------------------|
| | Capacity (kWh) 51.5kWh | Capacity (kWh) 72kWh | Capacity (kWh) 51.5kWh | Capacity (kWh) 72kWh | Capacity (kWh) 88.55kWh | Capacity (kWh) 65kWh | Capacity (kWh) 65kWh |
| WEIGHTS | | | | | | | |
| GVM (kg) | 3500 | 3500 | 3500 | 3500 | 3500 | 3500 | 3500 |
| CVW (kg) | 2300 | 2460 | 2340 | 2520 | 2640 | 2700 | 2750 |
| Max front axle load (kg) | 1950 | 1950 | 1950 | 1950 | 1922 | 2080 | 2090 |
| Max rear axle load (kg) | 1900 | 1900 | 1900 | 1900 | 1828 | 1950 | 1950 |
| Payload (kg) | 1200 | 1040 | 1160 | 980 | 860 | 1290 | 1260 |
| Towing capacity (unbraked) (kg) | 1500 (750) | 1500 (750) | 1500 (750) | 1500 (750) | 1500 (750) | - | - |
| ENGINE | | | | | | | |
| Drive Type | RHD/LHD | RHD/LHD | RHD/LHD | RHD/LHD | RHD/LHD | RHD/LHD | RHD/LHD |
| Number of seats | 3 | 3 | 3 | 3 | 3 | 3 | 3 |
| Rated power/peak power (kW) | 70/150 | 70/150 | 70/150 | 70/150 | 70/150 | 70/150 | 70/150 |
| Rated torque/Max. torque (N.m) | 160/310 | 160/310 | 160/310 | 160/310 | 160/310 | 160/310 | 160/310 |
| Max speed (km/h) | 100 | 100 | 100 | 100 | 100 | 100 | 100 |
| Acceleration 0-50km/h (sec) | 5.7 | 5.7 | 5.7 | 5.7 | 5.7 | 7 | 7 |
| DIMENSION | | | | | | | |
| Dimension :L *W *H (mm) (A,B, C) | 5546*2062*2525 | 5546*2062*2525 | 5940*2062*2525 | 5940*2062*2525 | 5940*2062*2525 | 6200*2052*2290 | 6680*2052*2290 |
| Wheel base (mm) (D) | 3366 | 3366 | 3760 | 3760 | 3760 | 3760 | 4048 |
| Length cargo space (mm)(E) | 3019 | 3019 | 3413 | 3413 | 3413 | - | - |
| Max width cargo space (mm) (F) | 1800 | 1800 | 1800 | 1800 | 1800 | - | - |
| Max width cargo space between wheel arches (mm) (G) | 1366 | 1366 | 1366 | 1366 | 1366 | - | - |
| Max height cargo space (mm) (H) | 1792 | 1792 | 1792 | 1792 | 1792 | - | - |
| Slide door width (mm) (I) | 1269 | 1269 | 1269 | 1269 | 1269 | - | - |
| Overhang Front (J) / Rear (k) | 1020/ 1160 | 1020/ 1160 | 1020/ 1160 | 1020/ 1160 | 1020/ 1160 | - | - |
| Slide door height (mm) (L) | 1570 | 1570 | 1570 | 1570 | 1570 | - | - |
| Turning radius (m) | 6.7 | 6.7 | 7.4 | 7.4 | 7.4 | 7.4 | 7.9 |
| Cargo volume (m ³) | 9.7 | 9.7 | 11.0 | 11.0 | 11.0 | - | - |
| CHARGING | | | | | | | |
| Charging time (AC 100%) h/POWER (7.4kW) | 7 | 10 | 7 | 10 | 12 | 9 | 9 |
| Charging time (DC 80%) min | 40 | 40 | 40 | 40 | 45 | 36 | 36 |
| Battery capacity (kwh) | 51.5 | 72 | 51.5 | 72 | 88.55 | 65 | 65 |
| energy consumption WLTP combined (kWh/100km) | 29.44 | 31.06 | 29.44 | 31.06 | 31.03 | - | - |
| RANGE | | | | | | | |
| WLTP city Miles / (kms) | 147 (237) | 179 (288) | 147 (237) | 179 (288) | 219 (353) | - | - |
| WLTP Combined Miles / (kms) | 112 (180) | 146 (235) | 112 (180) | 146 (235) | 185 (296) | - | - |

eDELIVER 9

CUSTOM VEHICLE OPTIONS



If your business requires a bespoke vehicle to match your specific working environments, MAXUS has a network of specialist converters that will work with you to create the conversion that best suits your needs. Whether an electric vehicle, drop side, tipper, ambulance, wheelchair accessible minibus or camper van, MAXUS offers you the choice to work with our in-house teams or one of our nationwide dealers or converters. Whichever avenue you choose, MAXUS will work with you through the entire process, from design to delivery, letting you concentrate on more important business - your business.

Working with MAXUS offers your business the reassurance and guarantee that each and every step of the way your design needs will be dealt with by professionals in this field.

TAKE YOUR PICK

3 years paint warranty. 10 years anti - corrosion warranty.

MAXUS continuously invests in the use of new materials, state-of-the art painting and cutting-edge manufacturing processes to ensure our vehicles deliver for our customers today, tomorrow and for many years to come. The eDELIVER 9 come with 5 paint colour options standard colour Blanc White, and a cost option for metallic / customised paints, Ocean Blue, Aurora Silver, Obsidian Black and Olive Brown * denotes cost option.



Images shown are for illustration purposes only. Dual Rear Wheel (available to Order Jan 2021).

MAXUS SERVICES



Warranty

Basic vehicle warranty covers the non Electric Vehicle parts – 5yrs 60,000 miles (100,000 Kms)

Electric vehicle drive train warranty covers all the electric vehicle parts – 5yrs 60,000 miles (100,000 Kms)

Electric vehicle battery (Li-Ion) capacity coverage covers capacity loss – 8yrs 100,000 (160,000kms)

For t&c's see page 3 of the "Service / Warranty Handbook

Your vehicle is covered by a warranty package for 5 years 60,000 miles (96,000kms) and the Battery 8 years 100,000 miles (161,000 Kms) from date of first registration. Your MAXUS Dealer or MAXUS EV Dealer is able to repair or replace, without charge, parts that are found to have a material or assembly defect that is recognised by MAXUS. The paintwork warranty runs for 3 years and the anti-corrosion warranty for 10 years.

For full warranty terms and conditions please visit MAXUS website /warranty.

MAXUS Assist

5 Years MAXUS Assistance

Should you need it, we'll provide emergency roadside repairs or recover you to the nearest MAXUS Dealer or MAXUS EV Dealer. This service is available 24 hours a day and is provided for 5 years or 60,000 miles (100,000 Kms) from the date of first registration, whichever comes first. Assistance is provided within the UK & Northern Ireland only at roadside and home and includes national recovery to nearest dealer or home dealer. Assistance applies to mechanical or electrical defects which are covered by warranty.

Service Intervals

eDELIVER 3 Service: 12 months or 18,645 miles (30,000 Kms) thereafter. MAXUS Dealer Network Services. No-one is better placed than MAXUS to maintain, fit and repair your eDELIVER 3 fast. MAXUS Dealers repair and maintenance and offer a full year's guarantee on Original MAXUS Parts. And don't forget to have a look at our wide range of additional equipment and accessories!

MAXUS Auto Care

MAXUS Auto Care is an innovative Service, Maintenance & Repair product that supplies business customers with a fully supported, hassle-free service and maintenance package. MAXUS Auto Care is a "Pay-As-You-Go" product that ensures your vehicle is maintained by MAXUS technical experts when work is required.

MAXUS Auto Care provides the following benefits:

- Full service, maintenance and repair cover
- Tyres can be included within the contract at an additional fixed cost
- Ancillary equipment can also be included (at an additional fixed monthly cost)
- Excludes: Damage/Neglect/Abuse/Glass and bulbs
- A fixed, pre agreed pence per mile rate
- No excess mileage charges at the end of the contract
- No pooled mileage administration
- Minimises downtime

For more information and to obtain a quote based on your requirements, please speak to your local MAXUS Auto Care dealer or visit the MAXUS website.

Customer Relations

MAXUS knows the value of communicating with its business customers and we have established effective ways to support you and your business. Speak to your local MAXUS dealership, if you are not completely satisfied, please contact the MAXUS UK office on 0800 246 5888.

(Mon-Fri 9.00am to 5.30pm, Closed on Bank Holidays).

You can also visit our website:
www.saicmaxus.co.uk
www.saicmaxus.ie

Or write to us at: maxusfleet@saicmaxus.co.uk

MAXUS HQ Ireland
Harris Maxus UC, Naas Road, Dublin, D12 V065

MAXUS HQ United Kingdom
Harris Maxus, 719 Eddington Way, Birchwood Park, Warrington, WA3 GBA

MAXUS Finance Options

There is a wide variety of ways to purchase a new vehicle.

Your local MAXUS dealer can help arrange :
HP, Contract Hire, Leasing

Finance offers available to all , so whether you're a fleet buyer or private buyer, MAXUS dealers are ideally placed to tell you which plan or combination of plans best suits your needs and circumstances.

Subject to status, terms and conditions apply.

Contact your local MAXUS dealer or MAXUS Website for further details.



GOING THE EXTRA
MILE





Your local dealer



HARRIS MAXUS U.C.

FIND US @     

MAXUS Disclaimer:

Images shown in this brochure are for illustration purposes only. Actual vehicles may differ and are subject to change.

Specifications, standard equipment, options, fabrics and colours are subject to change without notice.

Some features may be unavailable when your vehicle is built. Some vehicles are pictured with options that may be available at extra cost or may not be available on certain models. Ask about availability of options and verify that the vehicle you ordered includes the equipment you ordered.

*5 year/125,000 mile warranty and 5 years roadside assistance. Terms and conditions apply.