

RENAULT TRAFIC



17 December 2024



the van designed around you

Available in 2 lengths and 2 roof heights and panel van or crew van versions, Renault Traffic range allows for customisation to find the right van for your day-to-day needs.

	L1H1	L1H2	L2H1	L2H2
load volume	5.8	6.7	7.8	8.9
overall length	5,080	5,080	5,480	5,480
overall height	1,971	2,495	1,967	2,498
gross vehicle weight	3,010-3,070	3,010	3,070	3,010-3,070
kerb weight	1,848-1,930	1,943	1,885-1,967	1,978-1,987
max payload	1,222	957	1,185	1,083

full product dimensions are found on page 15



Optimised storage space and comfort throughout the cabin, enhancing the mobile office and connectivity features, making every journey with Traffic more enjoyable and efficient.

8 standard advance driver assistance systems

up to 4.15m load length

up to 8.9m³ load volume

up to 2.5 t of towing capacity

84 litres of cabin storage

interactive menu

01. design

02. loading

03. crew van

04. interior experience

**05. advanced driver
assistance systems**

06. customisation

elegant functionality on the road

Dynamic and elegant, the exterior design of Renault Trafic is above all functional. Its right angles optimise loading and make it more practical, and its configuration more straightforward.



The C-shaped LED headlights and 30% larger electric-folding door mirrors* bring a stylish look to the front of Trafic, while also providing greater visibility.



* electric folding door mirrors standard from Extra trim.

build yours →

optimised load area

With its class-leading load length of 4.15m using the load-through bulkhead under the passenger seat, and its capacity of towing up to 2.5 tonnes, nothing stops Renault Trafic.



The ergonomically designed load area offers of up to 8.9m³ of volume*.



8.9 m³ of loading volume*

The vehicle also features two lights in the loading area and the 16 anchorage points* to maximise convenience.



16 anchoring points* and two LED lights in the loading area

* in L2 version.

build yours →

crew van

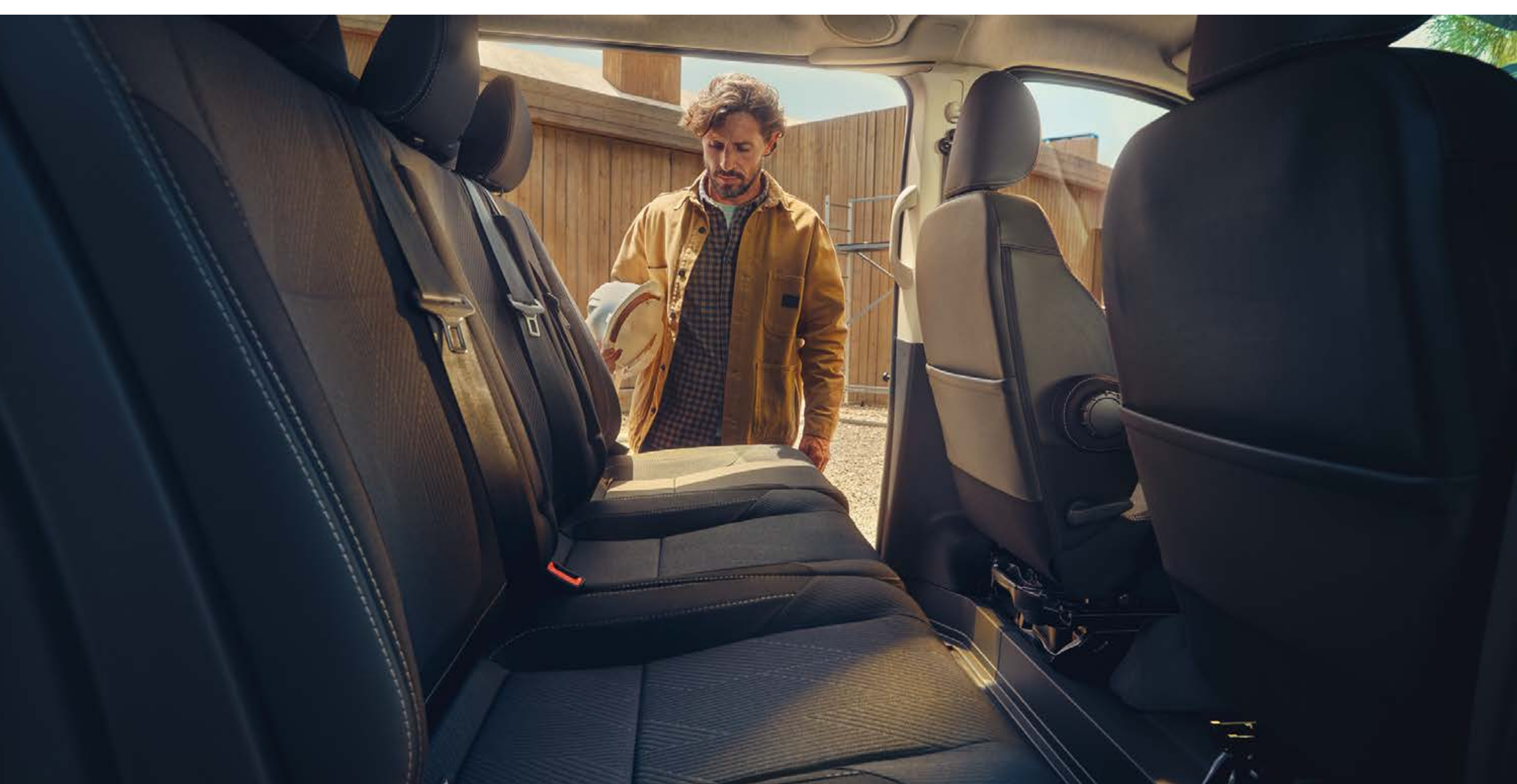
With seating for up to 6 and a generous load area, Traffic Crew Van can adapt to suit your daily business activities.



The glazed bulkhead separating the load area from the second row of seats brings enhanced visibility and additional driver safety when combined with the optional glazed rear doors.



modular system layout



three proper seats in row 2

build yours →

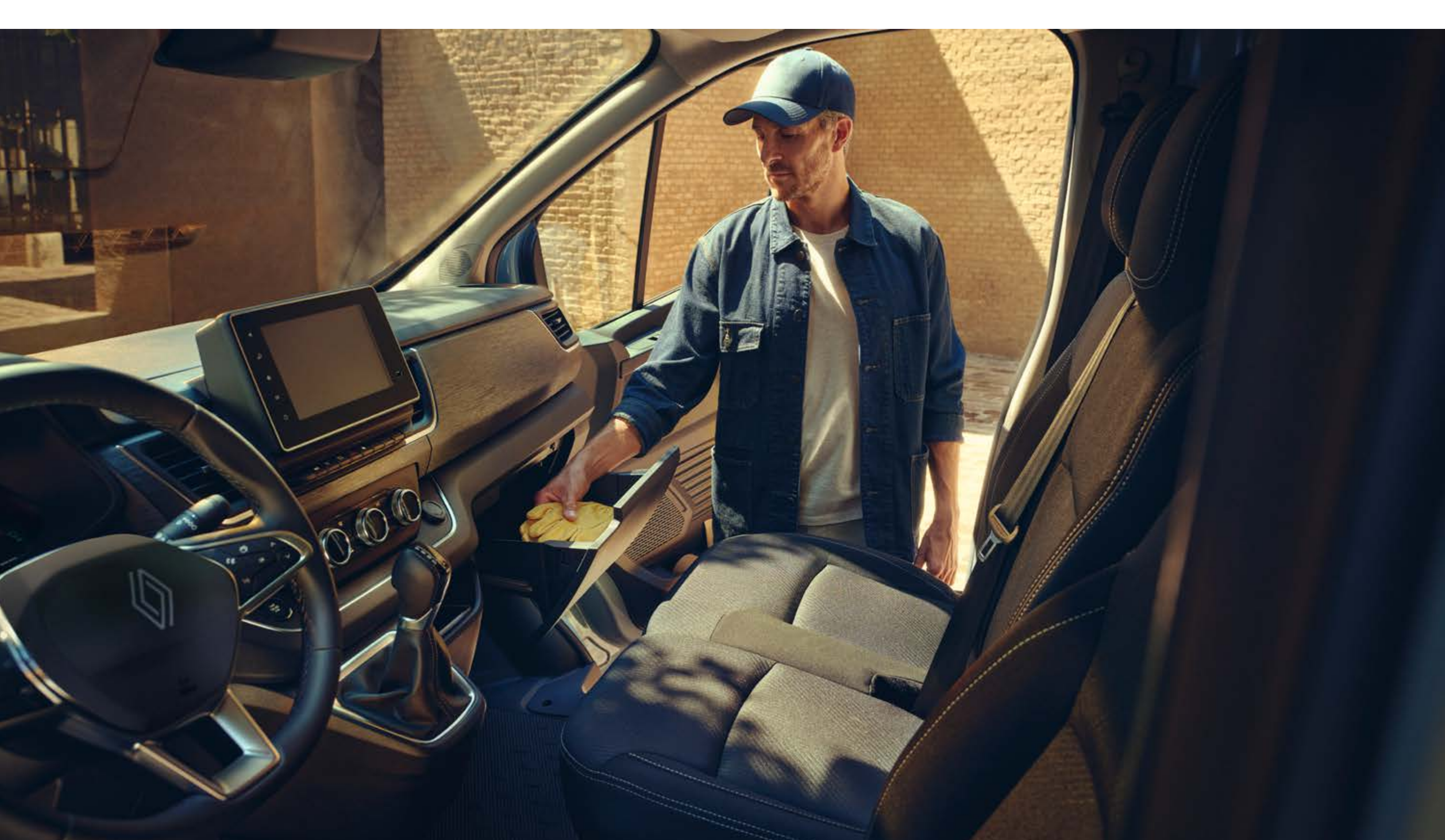
take your office with you

Equipped with a mobile office layout, Renault Trafic has everything you need: its wide central seat folds down so you can put a tablet, a computer or even its integrated A4 document holder on it.



mobile office: back of the central folding seat designed to hold your folders or computer*

Comfort is guaranteed with its lumbar-adjustable driver's seat. It also offers the best storage volume for a vehicle in its category: 84 litres in the passenger compartment.



With generous storage in the doors, a tray beneath the bench seat, wide cup holders, everything can be easily organised!



storage under the bench seat

*Not Standard on Crew Vans

[build yours →](#)

04. interior experience

integrated connectivity

Enjoy your journey from start to finish with the 8" EASY LINK multimedia system and stay connected through the smartphone integration brought by Android Auto or Apple CarPlay.



easy link multimedia system via 8" central display with Android Auto™ smartphone mirroring

Access your navigation applications and plan your routes with Android Auto™ or Apple CarPlay™ with wireless smartphone mirroring or using one of the three USB ports.



wireless smartphone charger*



smartphone integration via AndroidAuto™ or Apple CarPlay™

* optional.
Android Auto™ is a trademark of Google Inc. Apple CarPlay™ is a trademark of Apple Inc.

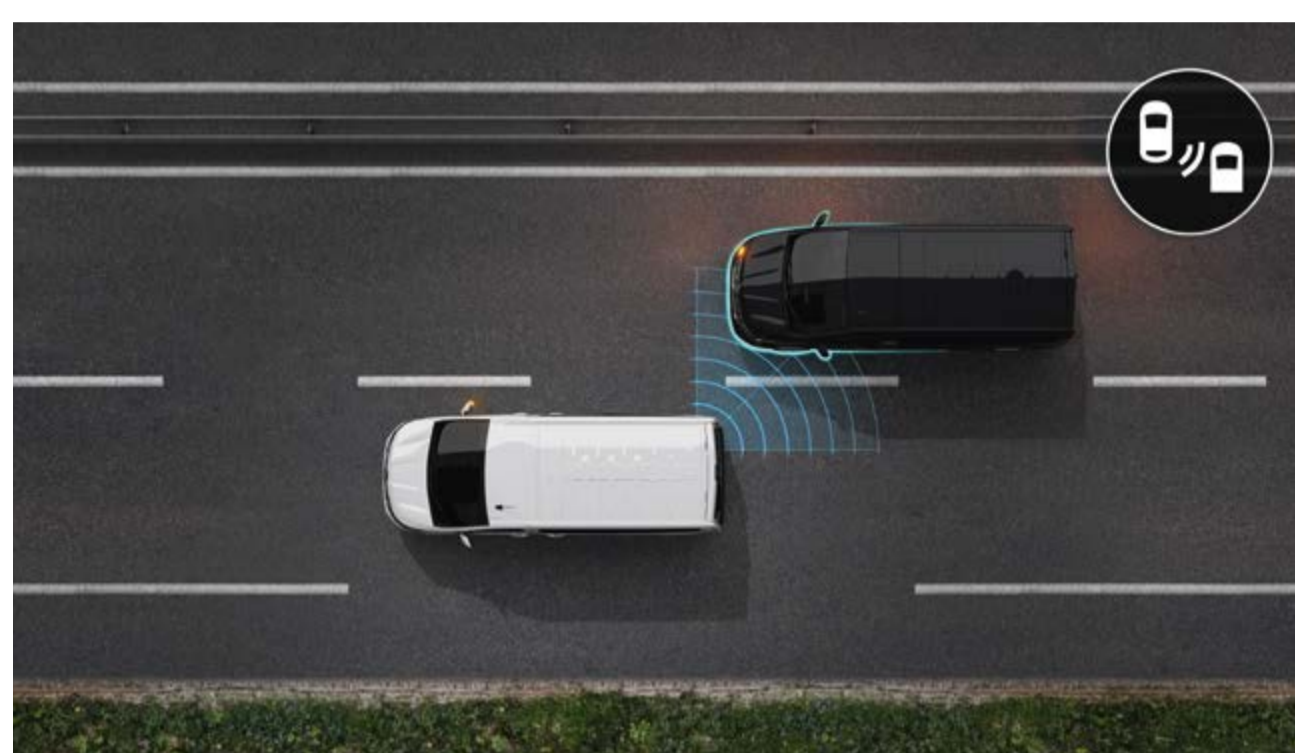
[build yours →](#)

driving made simple

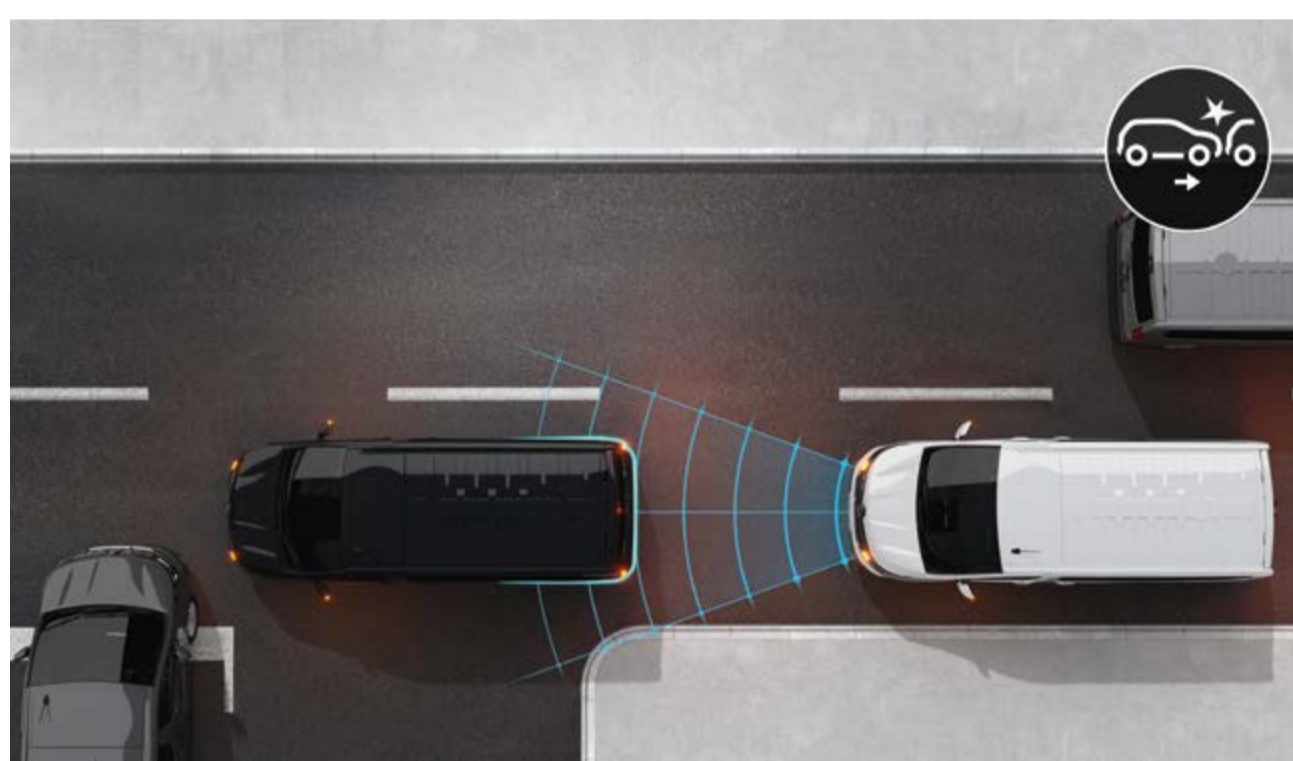
Drive with complete peace of mind, Traffic will make your journeys safer. A range of advanced driver assistance systems and safety devices allow you to travel with confidence.



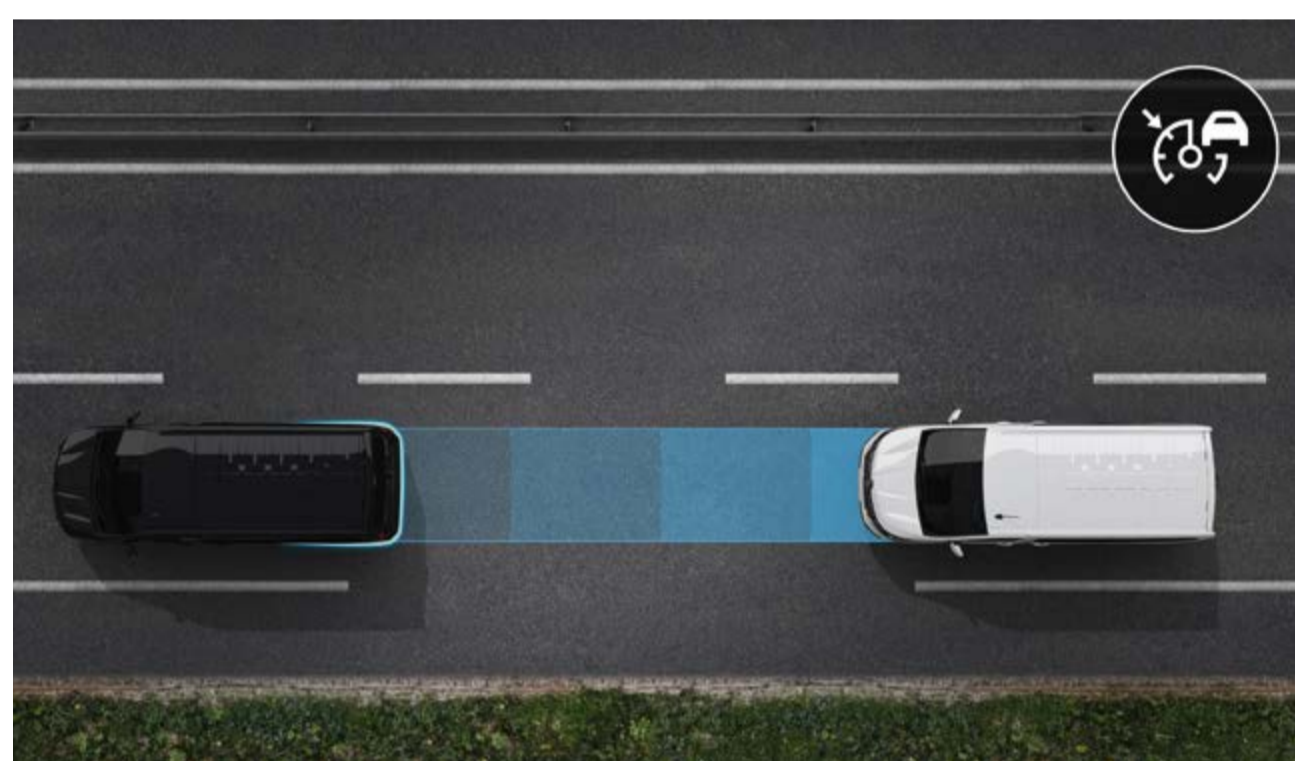
the 360° parking sensors
Front, rear and side sensors warn you of objects using an audible and visual signal. You no longer need to worry about damaging your bodywork (Standard on Extra Sport).



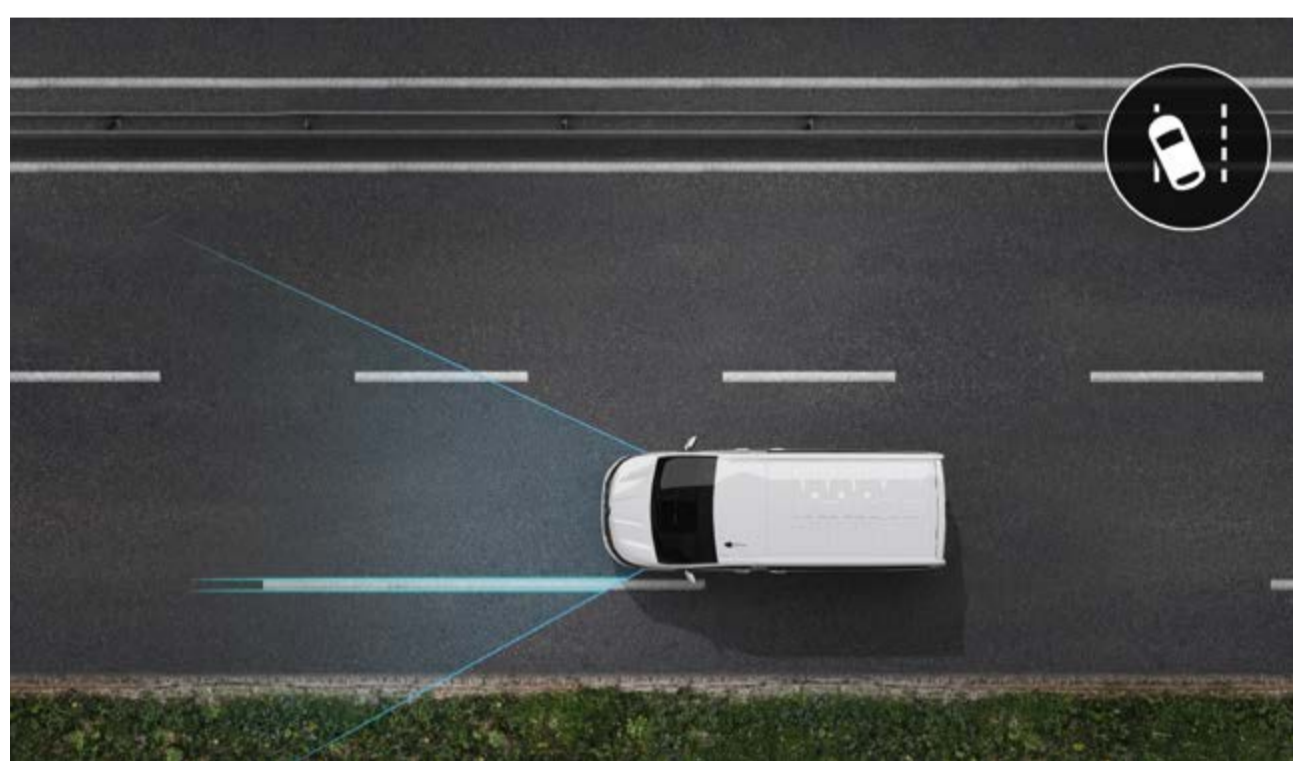
blind spot warning
This system warns the driver of vehicles in their blind spot and helps avoid collisions when manoeuvring. The driver is alerted by an LED light being activated in the corresponding door mirror (Optional).



active emergency braking system
Now standard across the range, this system is able to detect both moving and stationary vehicles. The driver is warned via a visual and audible alert, if the driver doesn't brake or doesn't brake hard enough the system supports with braking.



adaptive cruise control
This allows you to maintain a safe distance from the vehicle in front. The system applies the brakes when this distance is too short and then accelerates once the road is clear again (Optional).



lane departure warning
Standard across the range, this system alerts the driver if they cross the central reservation line involuntarily.

we have enhanced the safety and driver assistance systems across the Traffic range, the following features are now standard:

- rear parking sensors
- lane departure warning
- active emergency braking
- tyre pressure detection
- driver attention alert
- front lateral, curtain and front passenger airbags
- traffic sign recognition

build yours →

06. customisation

colours



cumulus blue ^{(1) (3) (4)}



urban grey ^{(1) (5) (6)}



glacier white ⁽¹⁾



jet black ⁽²⁾



highland grey ⁽²⁾



slate grey ^{(2) (4)}



carmin red ^{(2) (4)}

(1) solid paint.

(2) metallic paint.

(3) not available with body coloured front bumper, door rail, rear tail light column and chrome grille. colours shown may vary in real life.

(4) not available on high roof versions.

(5) not available with body coloured rear bumper and side mouldings.

(6) Not available on Extra Sport.

photos not contractually binding.

build yours →

06. customisation

interior trims



advance

- EASY LINK display with 8" touchscreen, DAB radio, Bluetooth and USB ports
- manual air conditioning with pollen filter
- passenger bench seat with underseat storage
- 4.2" colour TFT driver information display
- load-through bulkhead



extra (advance +)

- interior LED cabin lighting
- EASY LINK navigation with 8" touch screen DAB radio, Bluetooth and USB ports
- handsfree key card with start/stop function
- 12v socket in cabin area
- premium faux leather multi function steering wheel
- rear parking camera



extra sport (extra +)

- climate control
- 17" Alloy wheels with black inserts
- 360 degree parking sensors

 [download the trims and equipment PDF \(6 MB\)](#)

 [download the van price guide pdf \(6MB\)](#)

06. customisation

upholstery



kompo upholstery



java upholstery

wheels



16" siras wheel trim



17" avens alloy wheel



17" avens diamond-cut alloy wheel

build yours →

accessories



side step pack



chrome-finish fog light trim



chrome door mirror shells and door handle covers



customisation stickers - bonnet sport stickers

STANDARD

Wall & side thickness	5.5mm	Small van	30kg
Floor & arch thickness	9mm	Medium van	50kg
Core type	Hard	Large van	75.6kg
Trim type	Aluminium		
Durability rating	★★★★★		
Waterproof	No		

BUBBLECORE LIGHTWEIGHT LINING

Wall & side thickness	4mm	Small van	15.3kg
Floor & arch thickness	10mm	Medium van	25kg
Core type	Polypropylene	Large van	37.8kg
Trim type	Premium aluminium		
Durability rating	★★★★★		
Waterproof	Yes		

PREMIUM - PLY SIDES & UPGRADED FLOOR

Wall & side thickness	5.5mm	Water-resistant	Yes
Floor & arch thickness	9mm	Small van	31.4kg
Core type	Hard	Medium van	51.4kg
Trim type	Aluminium	Large van	76.7kg
Durability rating	★★★★★		
Floor type	Anti-Slip Phenolic Resin Plywood Floor		

ply lining
Choose our Ply Lining to increase the practicality of your new Van. Available in Standard, Premium + Bubblecore. For fitment at our Import Centre.

download the accessories brochure pdf (6 MB)

build yours →

06. customisation

engines

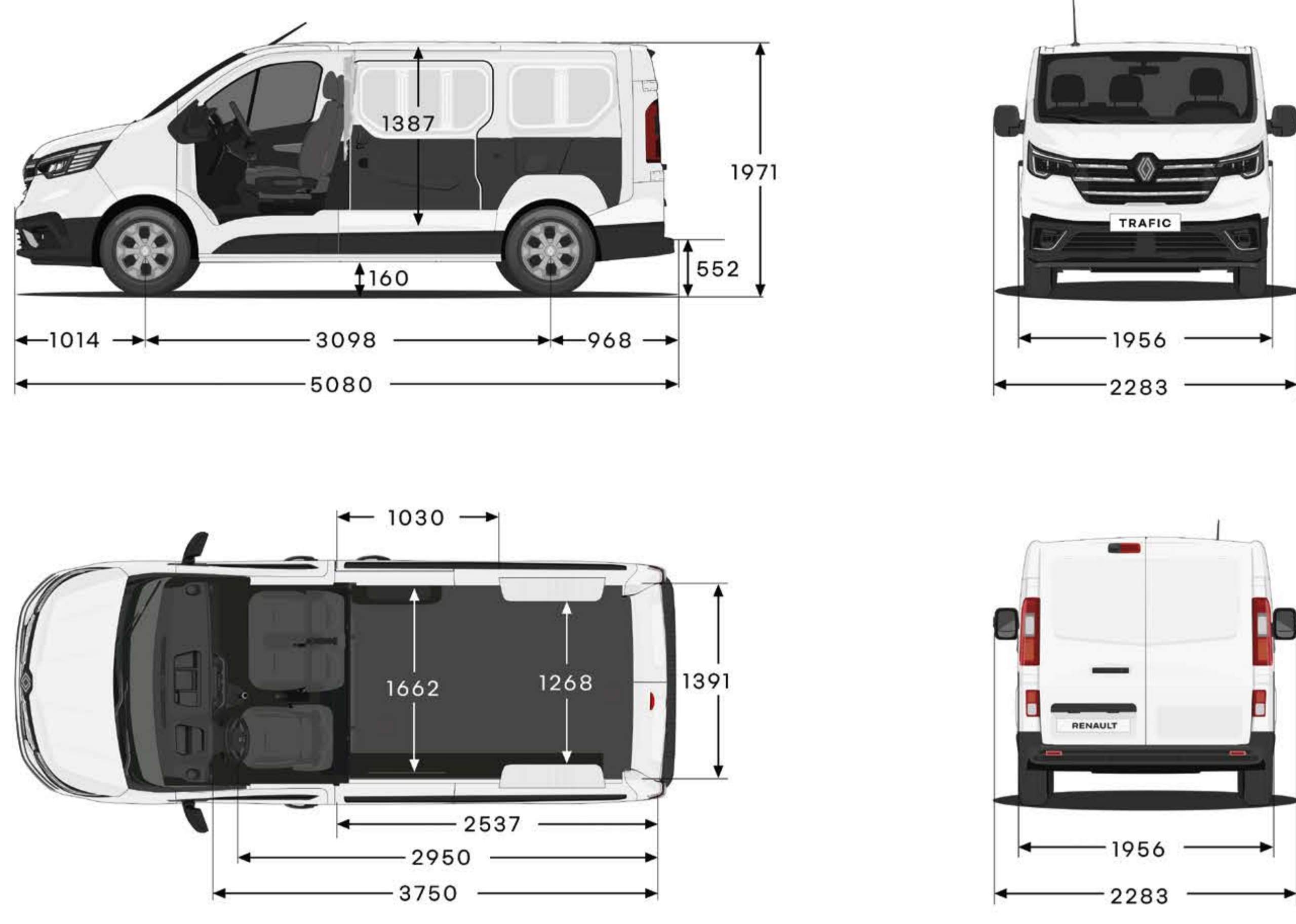
Blue dCi 130	Blue dCi 150	Blue dCi 150 Auto EDC	Blue dCi 170 Auto EDC
peak power kW EEC (hp) at rpm			
96 (130) at 3,500	110 (150) at 3,500	110 (150) at 3,500	125 (170) at 3,500
max. torque Nm EEC at rpm			
330 at 1,500	350 at 1,500	350 at 1,500	380 at 1,500
fuel and tank volume (L)			
Diesel - 80			
gearbox type			
manual gearbox	manual gearbox	9-speed automatic gear box	9-speed automatic gearbox



**download the engine technical
specification pdf (6MB)**

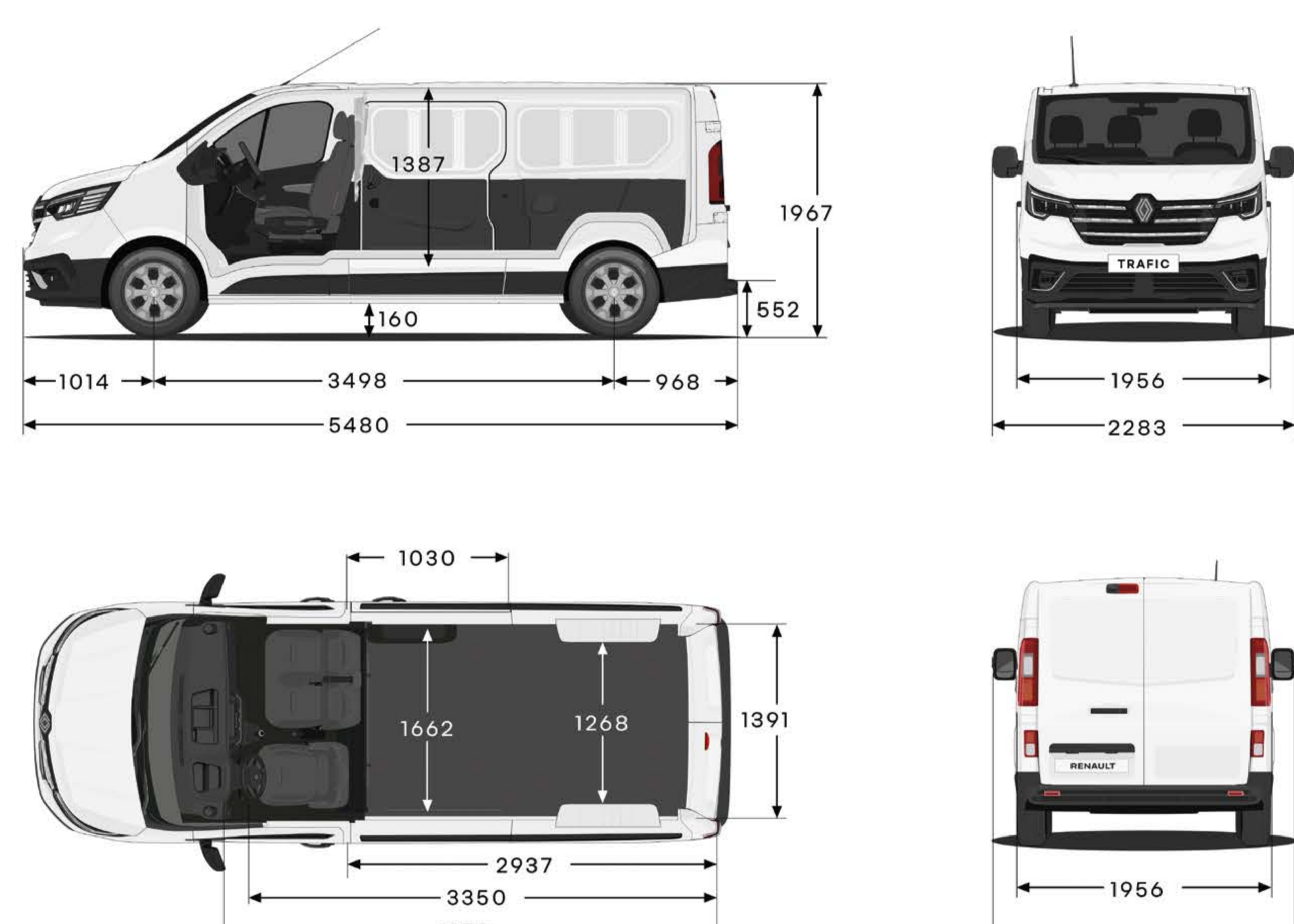
dimensions and volumes

L1H1 van



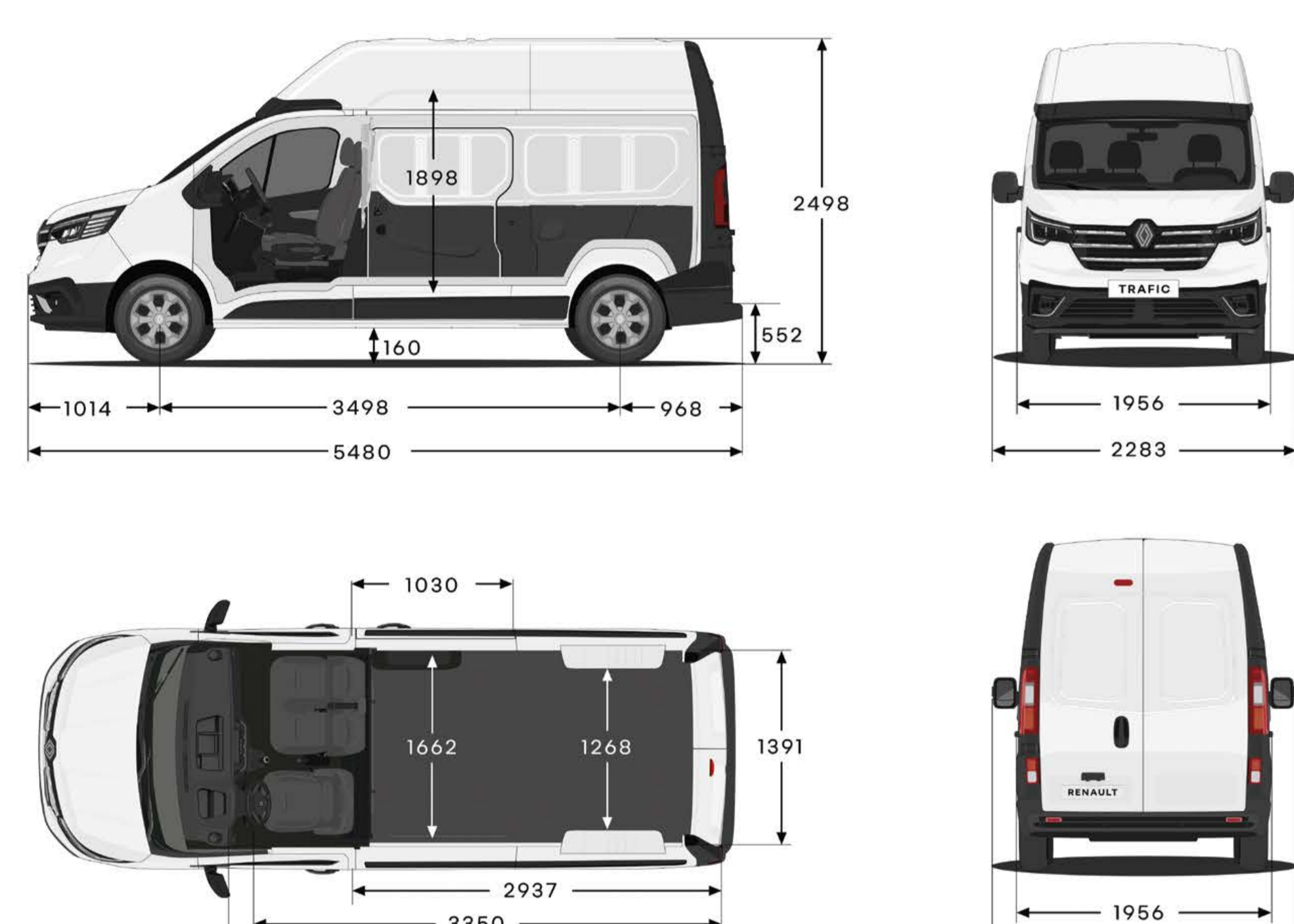
loading area	
load volume (m ³)	5.8
load length with load-through bulkhead maximum loading width headroom (mm)	1,320
sliding side door entry height (mm)	1,284
gross vehicle weight (kg)	2900-3010
kerb weight (kg)	1889-1930
max payload (kg)	1222

L2H1 van

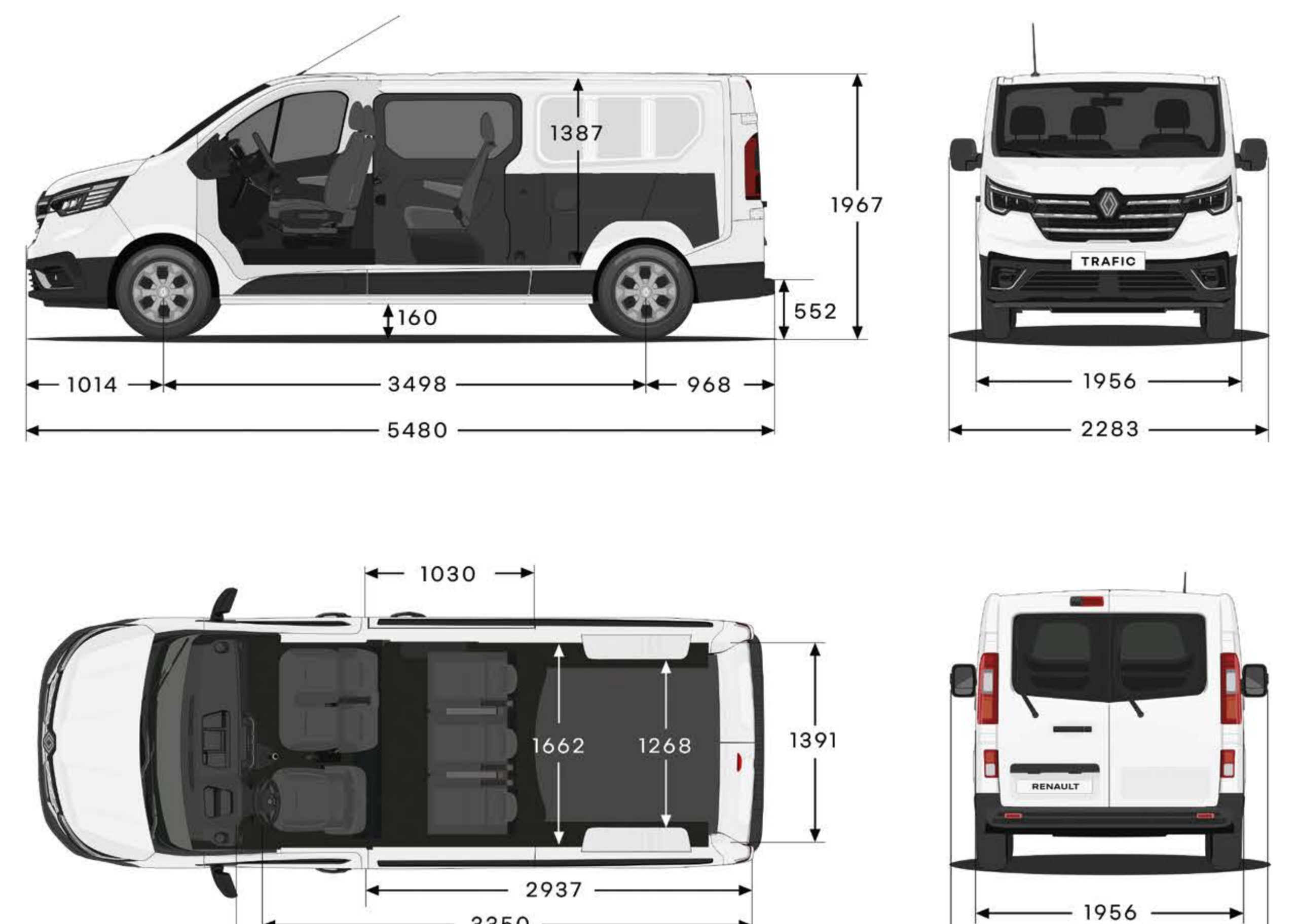


loading area	
load volume (m ³)	7.8
load length with load-through bulkhead maximum loading width headroom (mm)	1,320
sliding side door entry height (mm)	1,284
gross vehicle weight (kg)	3070
kerb weight (kg)	1925-1967
max payload (kg)	1103-1145

L2H2 van



crew van



loading area	
load volume (m ³)	4.0
loading area length	2,314 - 2,423*
max payload (kg)	881-1013
sliding door sill height (mm)	1,284

* depending on the version.
dimensions (in mm).

 **download the dimensions technical specification pdf (6MB)**

build yours →

Renault Pro+

When you own a Renault van you become part of a team designed to keep your business moving. One that's been honing its expertise for more than 100 years. One that has awardwinning vehicles adapted to meet every business need. One called Renault Pro+.

- . overnight servicing keeps your business moving
4:00pm drop off 10:00am collection
- . price match guarantee
subject to Pro+ Promise T&C's
- . dedicated experts at your service
- . 12 months parts and labour warranty - pride in our work

Renault Pro+ Let's get to work

Find out more about Renault Pro+

further information

vehicle	classed as	delivery to dealer and number plates*	vehicle excise duty	first registration fee	total
Trafic	van	£700	£335	£55	£1,090

Information correct at time of publication * Inc VAT †WLTP figures shown are for comparability purposes; only compare figures with vehicles tested to the same technical procedures. Actual real world driving results may vary depending on factors such as weather conditions, driving styles, vehicle load or any accessories fitted after registration. WLTP is a new test used for fuel consumption and CO₂ figures. Please visit [renault.co.uk/configure](https://www.renault.co.uk/configure) for WLTP figures for any selected options.



Renault services

3 years warranty

Your vehicle is covered by a warranty package for up to 3 years from date of first registration (unlimited mileage during the first 24 months, followed by a further 1 year limited to a total mileage of 100,000). Your Renault Dealer is able to repair or replace without charge, parts that are found to have a material or assembly defect that is recognised by Renault. The paintwork warranty runs for 3 years and the anti-corrosion warranty for 12 years.

For Warranty Terms and Conditions please visit www.renault.co.uk/warranty

3 years Renault assistance

Should you need it, we'll provide emergency roadside repairs or tow you to the nearest Renault Dealer. This service is available 24 hours a day and is provided for 36 months from the date of first registration (unlimited mileage for first 24 months, then limited to a total of 100,000 miles or 3 years, whichever comes first). Assistance is provided within the UK & Northern Ireland only at roadside, home and includes national recovery and onward travel. Assistance applies to mechanical or electrical defects which are covered by warranty.

For Renault Assistance and Terms and Conditions please visit www.renault.co.uk/assistance

LCV service plans & extended warranties

Renault's LCV Service Plans are the ultimate package to provide care free servicing for your new Renault LCV. It really is the hassle free way to take care of your Renault and benefits from;

- Inflation Proof Servicing - You know exactly what you'll pay and there are no hidden costs
- Peace of Mind - No matter where life takes you, we'll be there in over 5000 workshops across Europe
- Renault Expertise & Quality - Our highly trained technicians know your Renault inside out

The Renault LCV Service Plan contains Renault services in-line with the manufacturer's service schedule, plus comes with a complimentary vehicle safety check to ensure your Renault is in the best condition possible.

Renault LCV Extended Warranty enhancements also available. Refer to the Price Guide for more details.

service intervals

24,000 miles / 2 years

Renault Network Services

No-one is better placed than Renault to maintain, fit and repair your Renault, fast. The Renault Minute (maintenance and repair with no appointment necessary) and Renault Rapide Bodycare (bumper scuffs, dings and dents, windscreen, stone chips and interior repairs...) services deliver the highest level of repair and maintenance and offer a full year's guarantee on Original Renault Parts. And don't forget to have a look at our wide range of additional equipment and accessories!

Renault iCare

Renault iCare is an innovative Service, Maintenance & Repair product that supplies Business customers with a fully supported, managed hassle free service and maintenance package.

Renault iCare is a "Pay-As-You-Go" product that insures your vehicle is maintained by Renault technical experts when work is required.

iCare provides the following benefits:

- Full Service, Maintenance & Repair cover in the Renault Dealer Network
- Tyres can be included within the contract at an additional fixed cost
- Ancillary equipment can also be included (at an additional fixed monthly cost)
- Excludes: Damage/Neglect/Abuse/ Glass & Bulbs
- A fixed, pre agreed pence per mile rate
- No excess mileage charges at the end of the contract
- No pooled mileage administration
- Minimalise downtime

For more information and to obtain a quote based on your requirements, please speak to your local Renault Business dealer or visit www.renault.co.uk/icare

customer relations

Renault knows the value of communicating with its customers and we have established effective ways to keep in touch with you. If, after speaking to your local Renault dealership, you are not completely satisfied, please contact the Renault UK Customer Relations Team on 0344 3350000[†] (Mon-Fri 8.00am to 6.00pm, Closed on Bank Holidays. Live Chat Mon-Fri 8.00am to 9.00pm). You can also visit our website www.renault.co.uk or write to us at: Renault UK Ltd, The Rivers Office Park, Denham Way, Maple Cross, Rickmansworth, Hertfordshire, WD3 9YS.

finance options*

There are a wide variety of ways in which the purchase of a new vehicle can be financed. Renault Finance offers all of them, so whether you're a fleet buyer or private buyer, Renault Finance is ideally placed to tell you which plan or combination of plans best suits your needs and circumstances.

For servicing plan terms and conditions visit www.renault.co.uk/serviceplan

*Finance provided by Renault Finance, P.O. Box 149, Watford, WD17 1FJ. Guarantees and indemnities may be required. You must be at least 18 and a UK resident (excludes Isle of Man and Channel Islands) to apply. Subject to status, terms and conditions apply. [†]Calls to 0330 numbers are free if used as part of your inclusive mobile minutes and are charged at local rates from landlines. Renault UK Limited (company number 82932), registered at The Rivers Office Park, Denham Way, Maple Cross, Rickmansworth, Hertfordshire, WD3 9YS.



Every precaution has been taken to ensure that the contents of this publication were accurate and up-to-date at the time of printing. This document was created using pre-production models and prototypes. In line with its policy of continuous product improvement, Renault reserves the right to modify the specifications, vehicles and accessories described and featured at any time. Any such modifications are communicated to Renault dealers as quickly as possible. Depending on the country of sale, versions may differ and some equipment may be unavailable (standard, optional or accessory). Please contact your nearest dealer for the latest information. For technical printing reasons, the colours featured in this document may differ slightly from those of the actual paintwork or interior trim. All rights reserved. Reproduction in any format and by any means of all or part of this publication is prohibited without prior written authorisation from Renault.

Publicis - photo credits: - Online only - December 2024.

business.renault.co.uk



build yours →